

BAVONA TP6500 HARDTOP

Lamella roof

TP6500



	min. 200 cm max. 600 cm		min. 200 cm max. 600 cm
---	----------------------------	---	----------------------------

	0°
---	----

Description

Terrace pavilions comprising a continuous cubic frame (extruded aluminium profile dimension 230 x 115 mm) and a lamella canopy. The construction is supported by 4 profiled supports (dimensions 115 x 115 mm). Numerous possible foot bracket options round out the system. The frame can be fastened directly to a structure, thereby permitting wall or ceiling mounting (with additional angle brackets). The water runs off through a circular gutter integrated in the frame, where the water flows in via the lamellas. The channel can be drained via hoses in the supports. The lamellas can be swivelled steplessly to a maximum of 115°, which ensures optimum setting of the desired light conditions. The lamella roof protects against rain when closed. In the slightly opened position, a heat build-up is prevented by the bio-climatic air circulation, thereby ensuring a pleasant climate.

The slat roof is particularly water-repellent, but not completely waterproof.

Wind resistance: The system satisfies wind resistance class 4 when extended (tensioned fabric) or to 150 km/h when retracted. (DIN 13561 compliant).

Snow load: The system is able to withstand a snow load of up to 110 kg/m²

Drive: Operated via a low-noise electric cylinder with mechanical limit stop. 24 V supply, IP66 protection class. The cylinder opens and closes the lamellas via a carrier profile.

Option:

Tilt-Box io: Standard supplied with temperature protection switched on (without Tilt-Box = **NO** temperature protection).

Drainage: Optionally, the water can be drained through the foot brackets into the floor or with lateral recess at the support. 1 water run-off is required for lamellas with a surface area of 12 m², and 2 run-offs for a surface area up to 24 m².

Integrated LED lighting: Up to three lamellas (position freely selectable) can be equipped with light. A groove, in which a LED light strip (warm white) or RGBW light strip is installed, is provided in the lamella profile for the integrated lighting. This is covered by a reflective plastic profile.

Operating the white LED light strip:

- Switch on/off/dim using an external light switch/dimmer.
- Use wireless (Somfy io) to switch on/off/dim.

Operating the RGBW light strip:

- Use wireless (Somfy io) to switch on/off/dim/change colors.

Adaptive LED lighting: A triangular aluminum LED profile can be suspended from the frame profile at the integrated water channel. The built-in white (warm white) LED light strip or RGBW light strip is covered by a reflective plastic profile. The flexible mounting enables direct or indirect lighting to be selected.

Operating the white LED light strip:

- Switch on/off/dim using an external light switch/dimmer.
- Use wireless (Somfy io) to switch on/off/dim.

Operating the RGBW light strip:

- Use wireless (Somfy io) to switch on/off/dim/change colors.

Glazing: The full glass sliding system SV1020 can be used for side glazing. The maximum side surface area of 15 m² per side must not be exceeded.

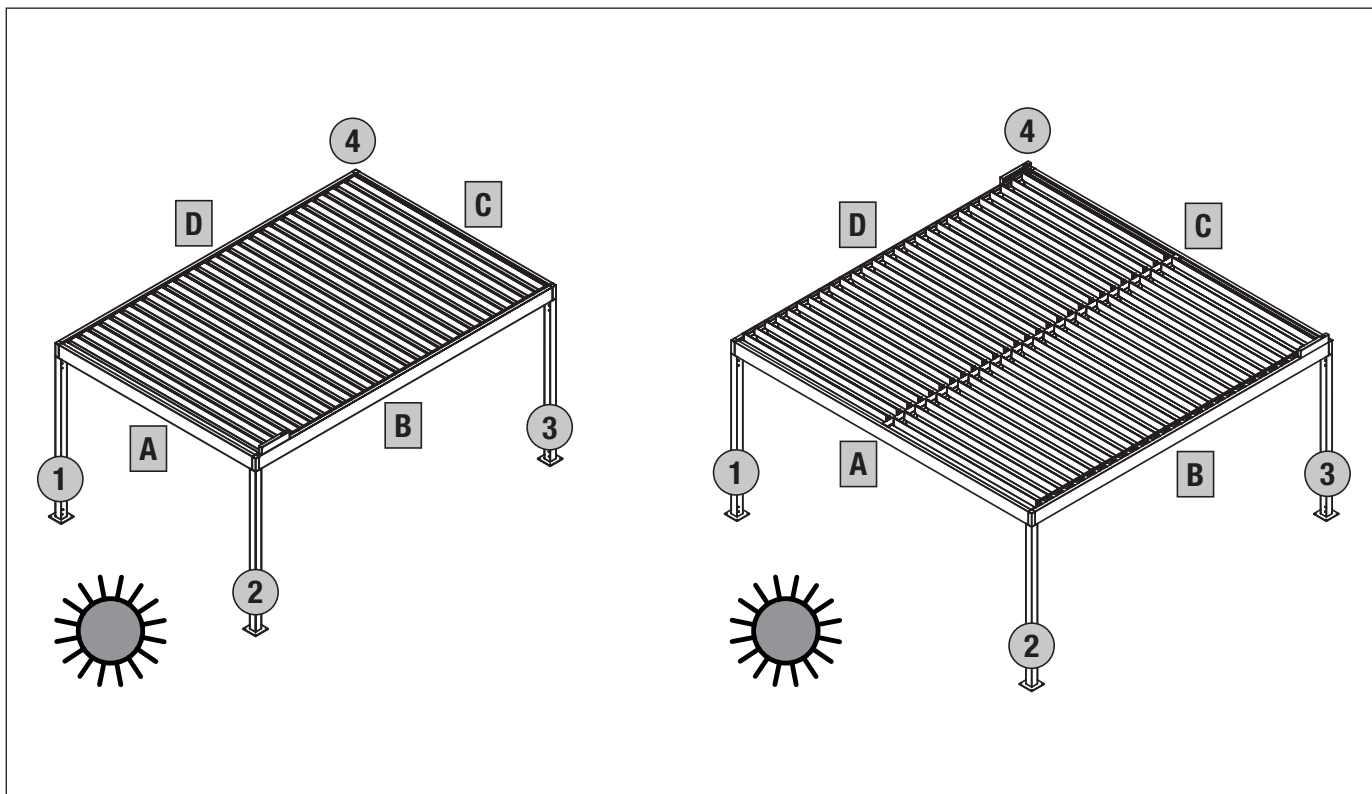
METHOD OF DELIVERY

Guides pre-mounted in carrier, supports and remaining single parts loose, no fixtures

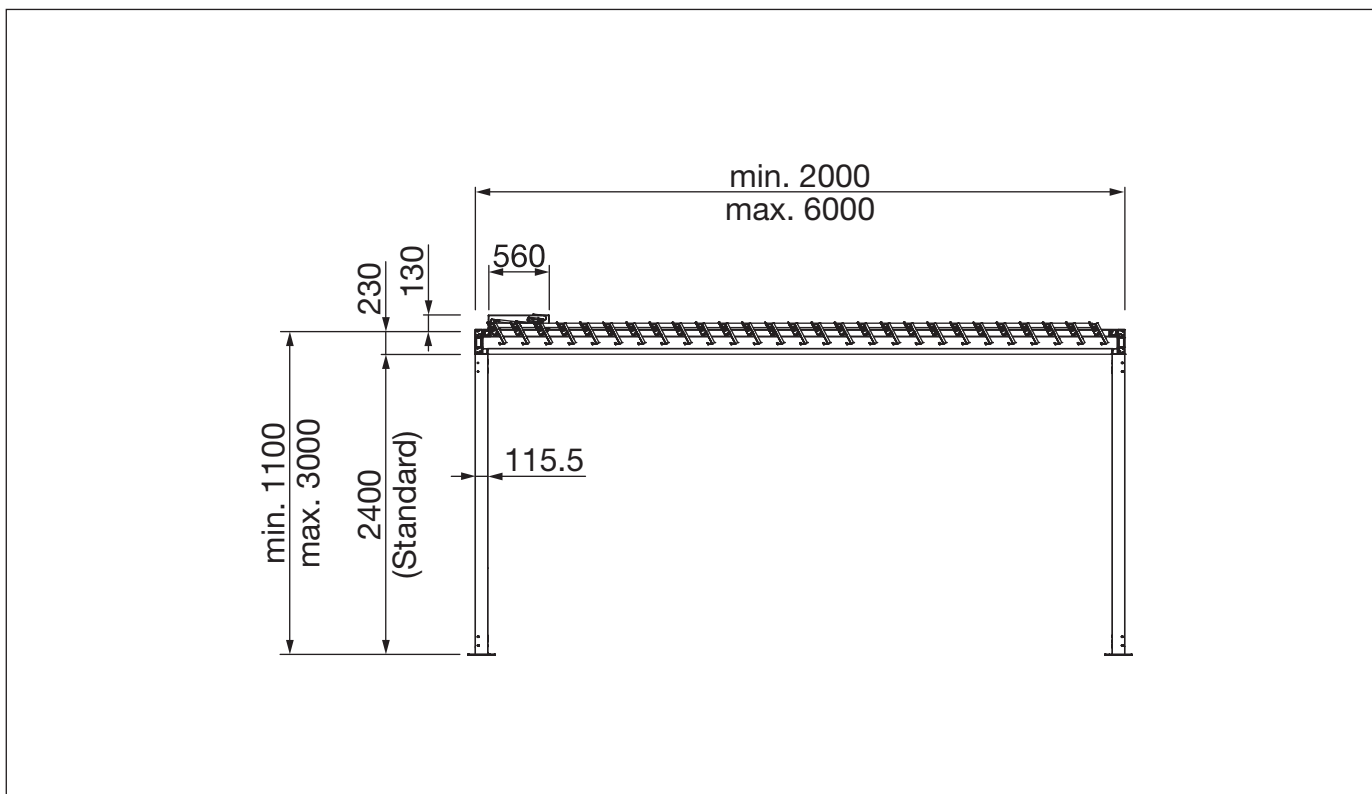
BAVONA TP6500 HARDTOP

Lamella roof

Side and support position



View B / D

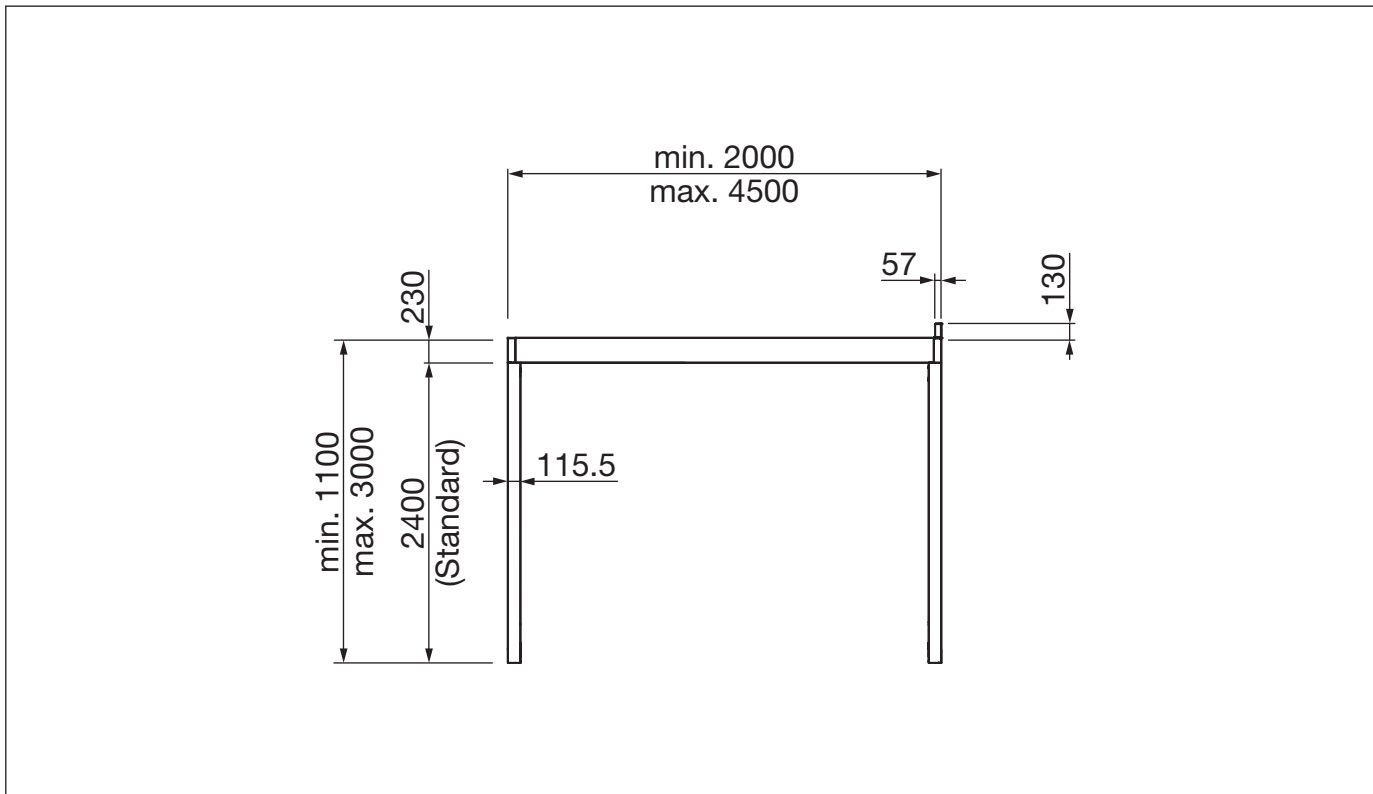


A / C = Total width
B / D = Total projection

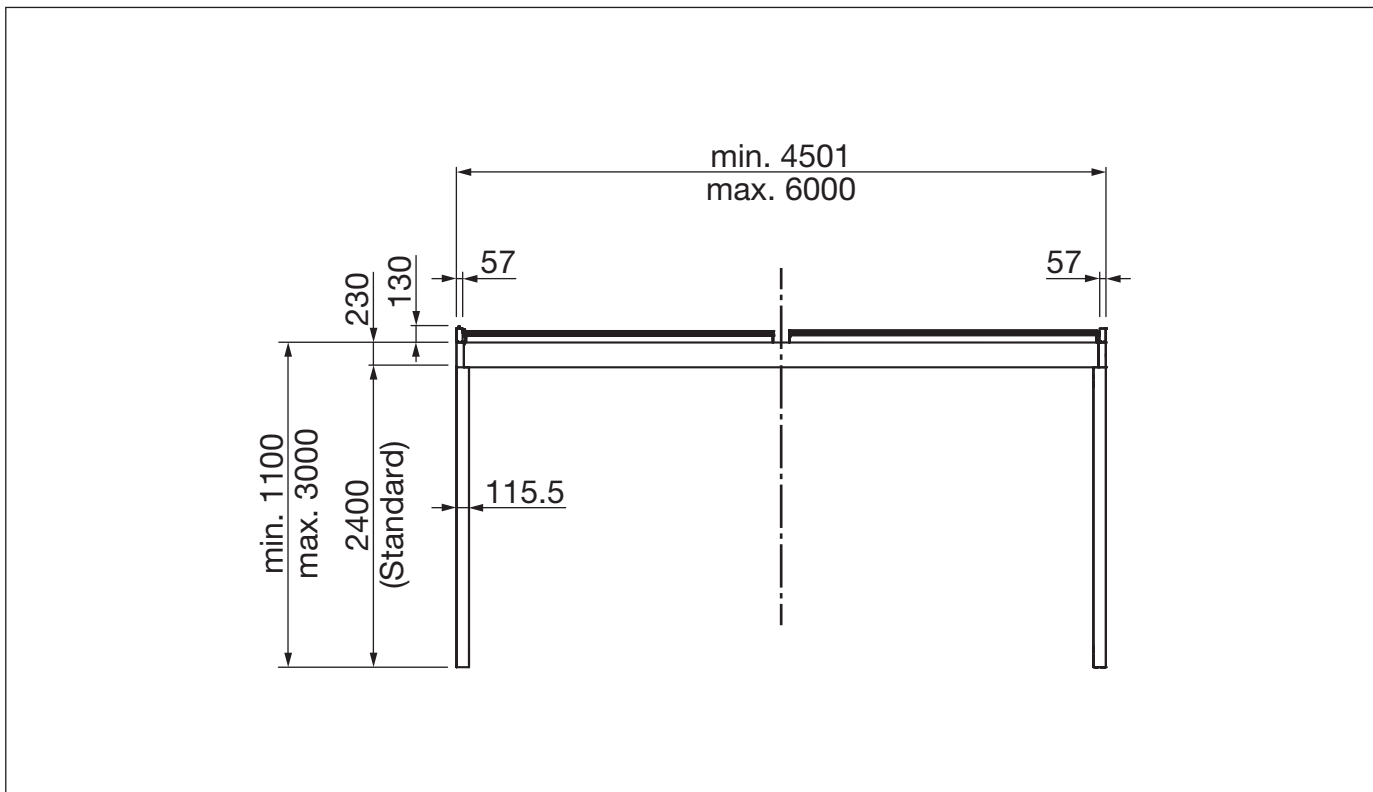
BAVONA TP6500 HARDTOP

Lamella roof

View A / C (simple construction)



View A / C (double construction)

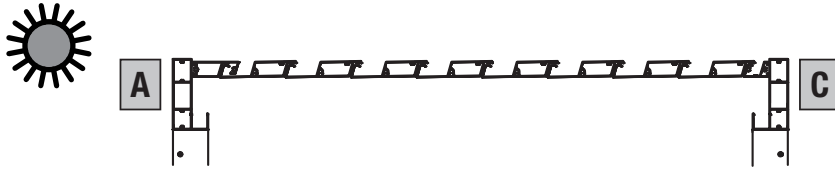


BAVONA TP6500 HARDTOP

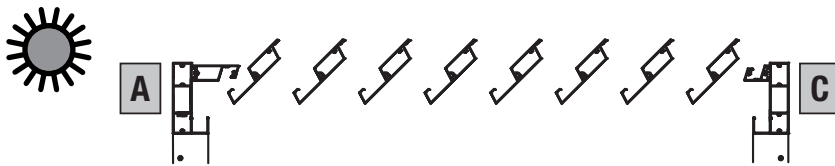
Lamella roof

Section A - C

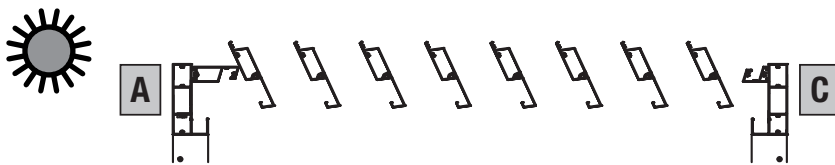
Lamellas closed (0 degrees)



Lamellas open (45 degrees)



Lamellas open to maximum (115 degrees)



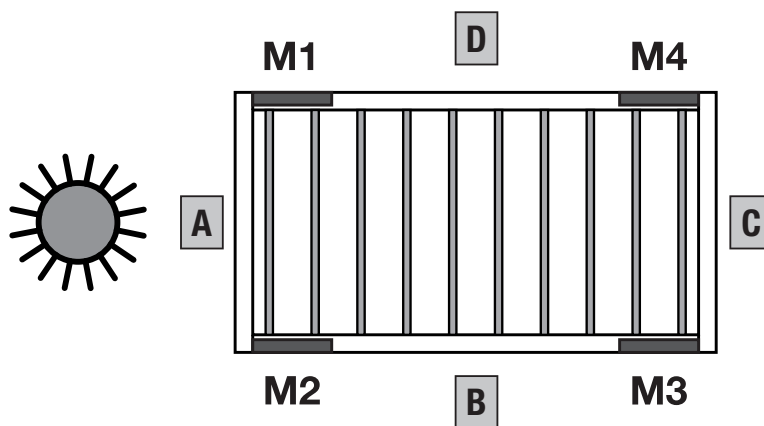
A / C = Total width
B / D = Total projection

BAVONA TP6500 HARDTOP

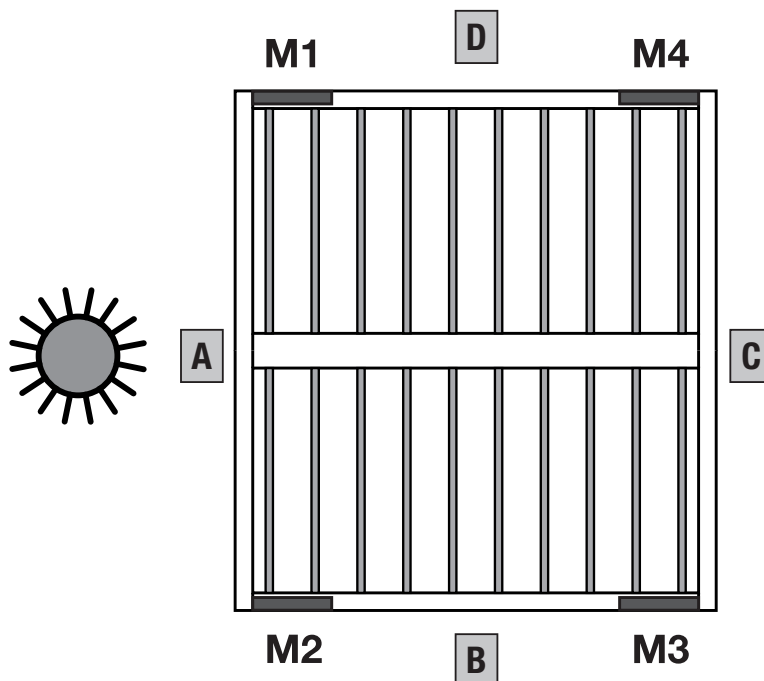
Lamella roof

Possible drive positions

Water flow always in the direction of the motor in the all-round running water channel
(due to design, the system cannot and is not permitted to be modified).



Position M1 / M2 / M3 / M4 possible

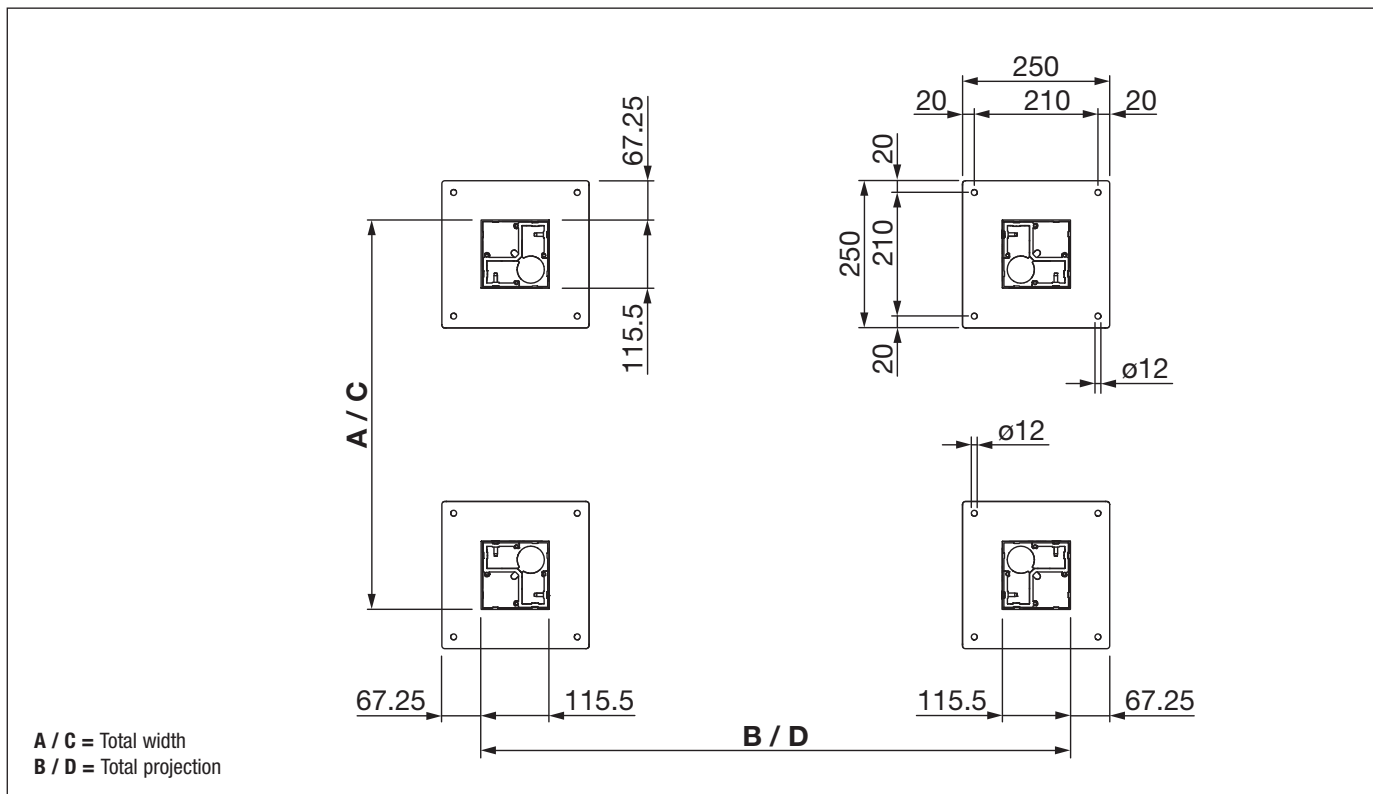


Position M1 + M2, or M3 + M4 possible

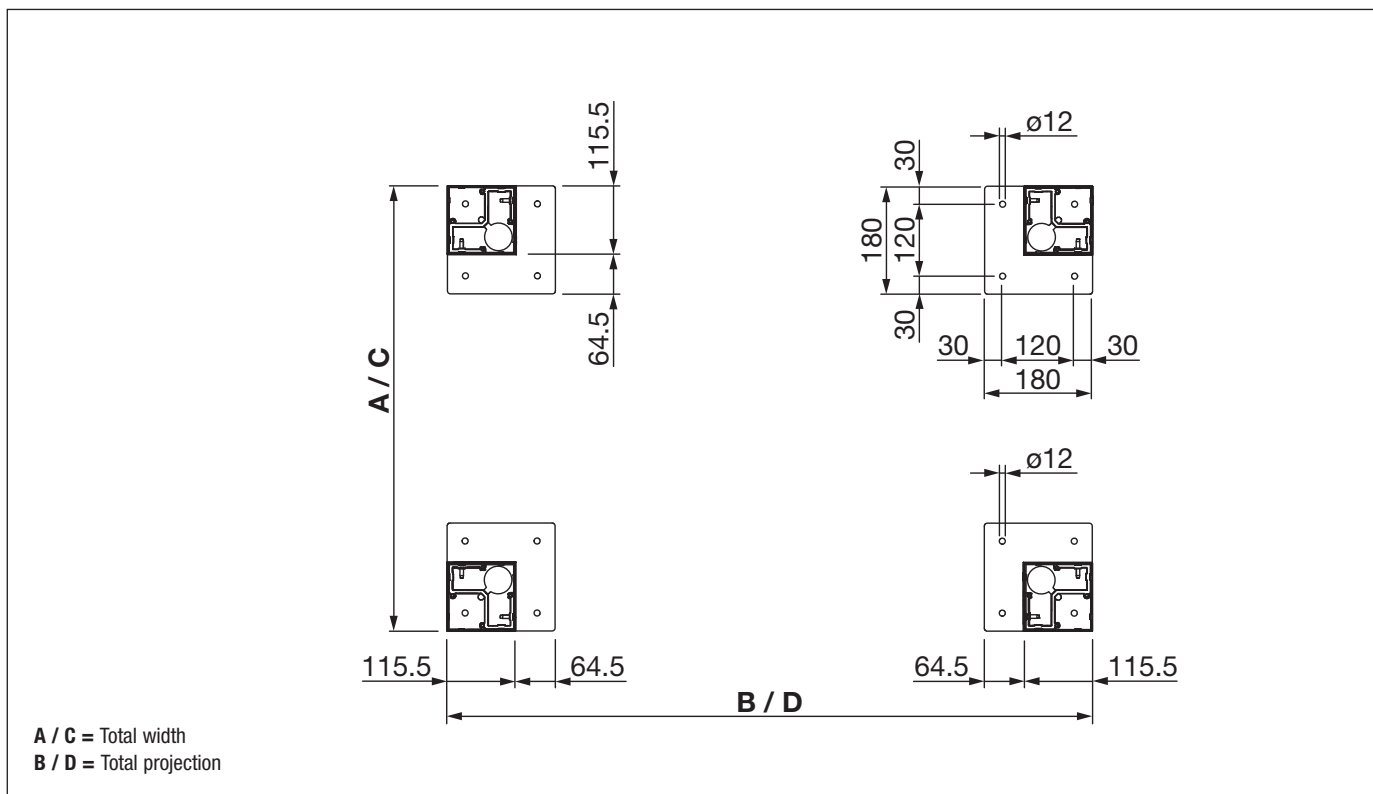
BAVONA TP6500 HARDTOP

Lamella roof

TP313 Foot plate (Standard)



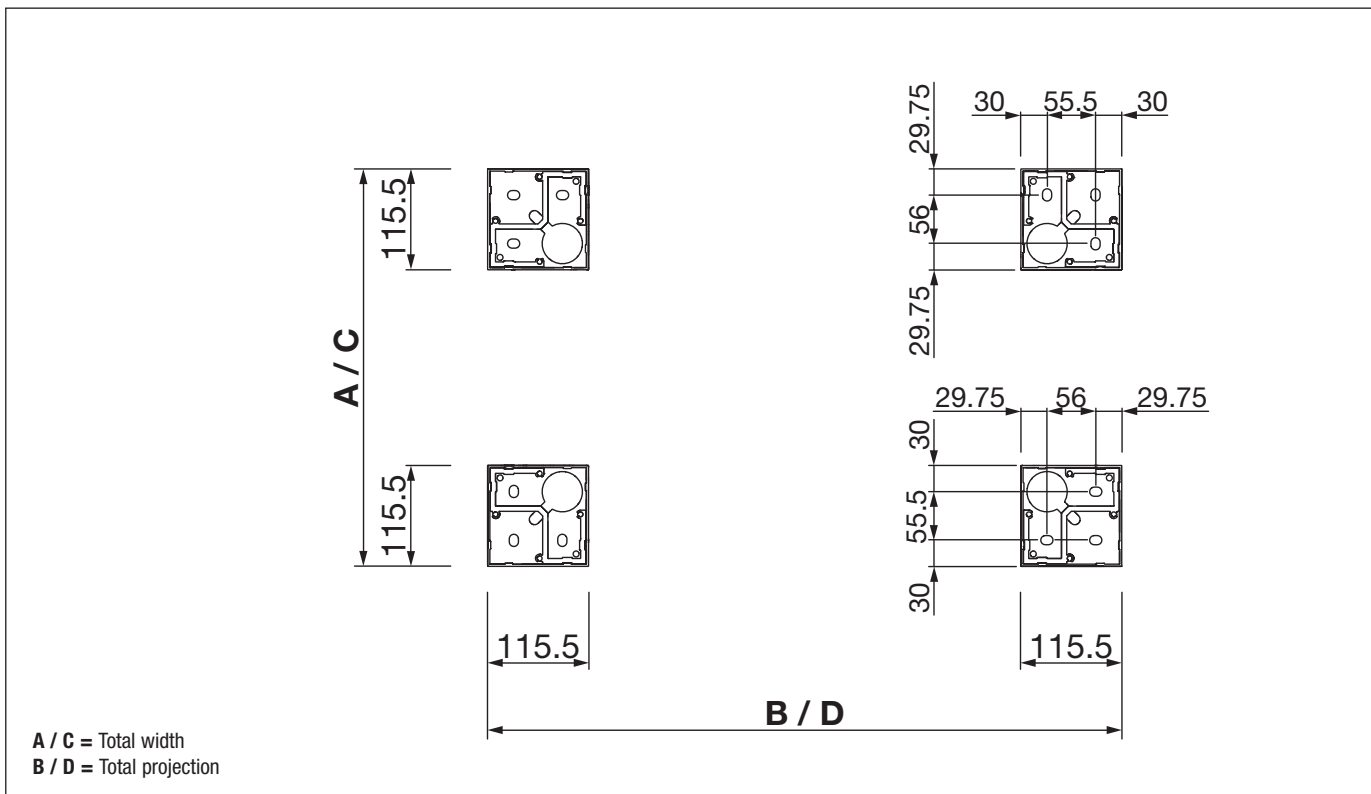
TP319 Foot plate (Corner)



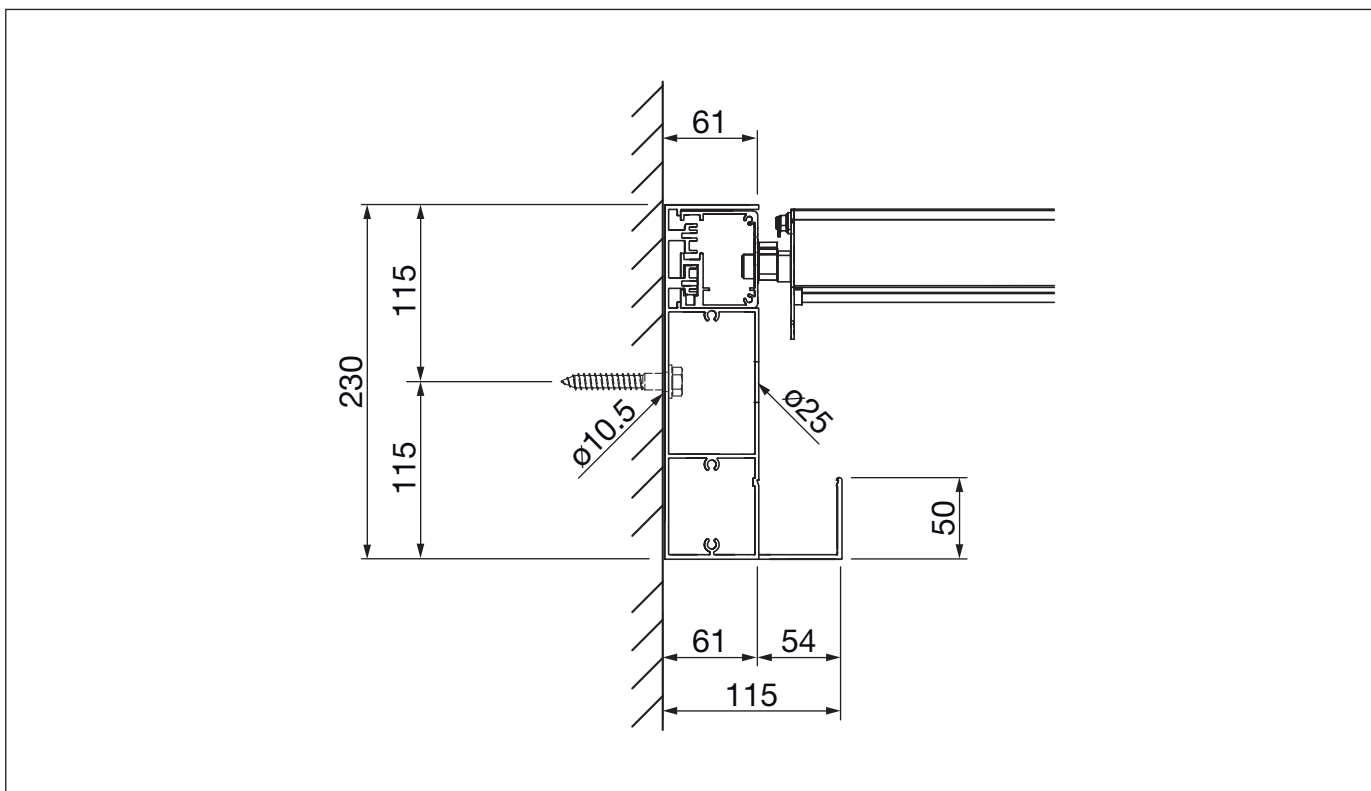
BAVONA TP6500 HARDTOP

Lamella roof

TP314-1 Foot plate (Balustrade)



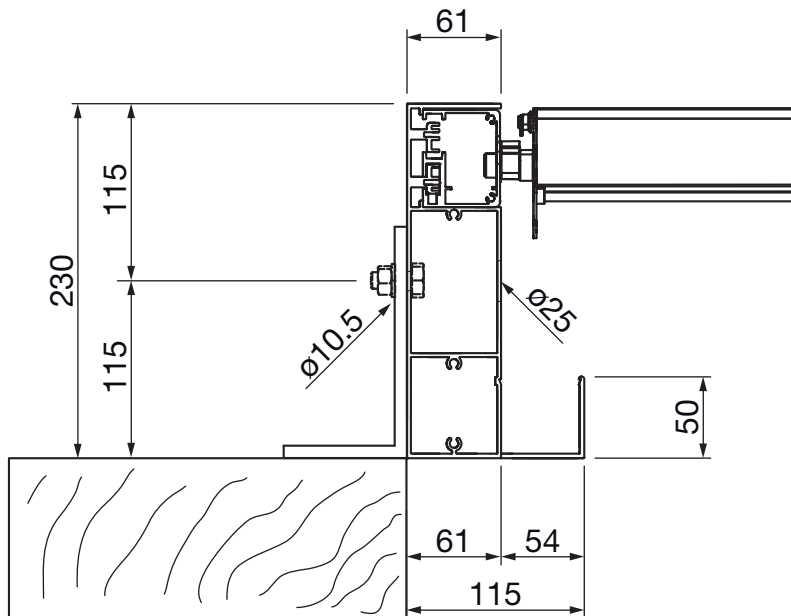
Assembly (on wall)



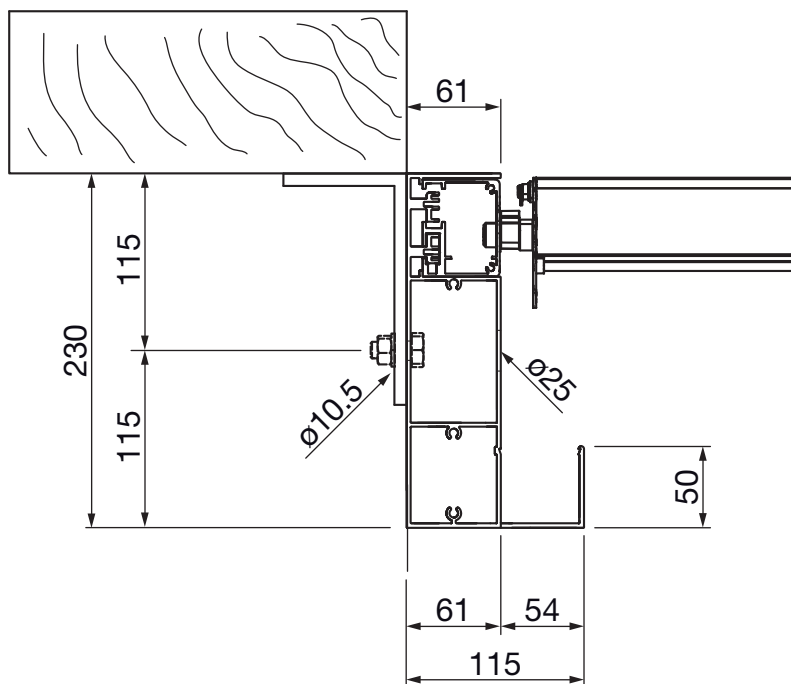
BAVONA TP6500 HARDTOP

Lamella roof

Assembly (superior)



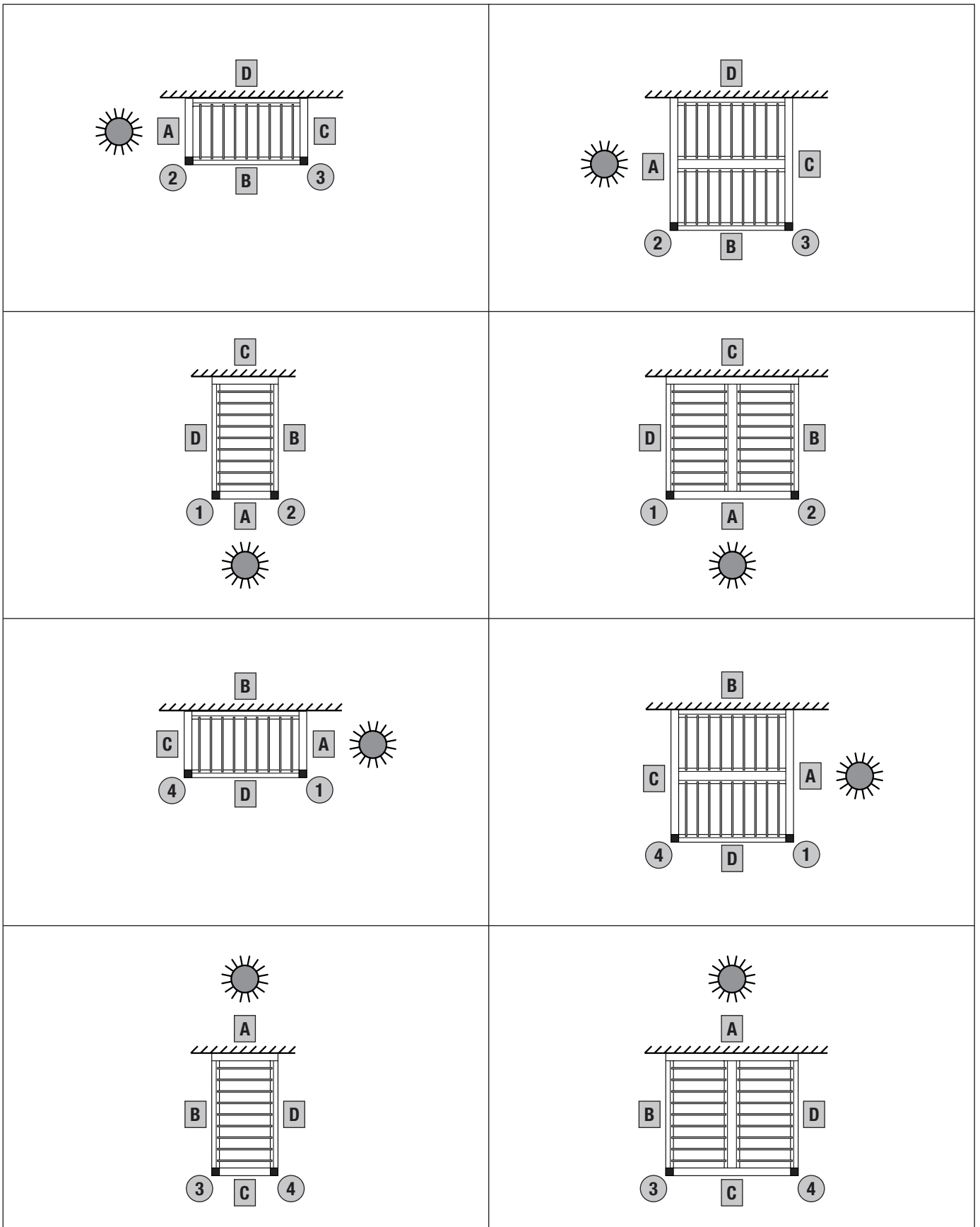
Assembly (suspended)



BAVONA TP6500 HARDTOP

Lamella roof

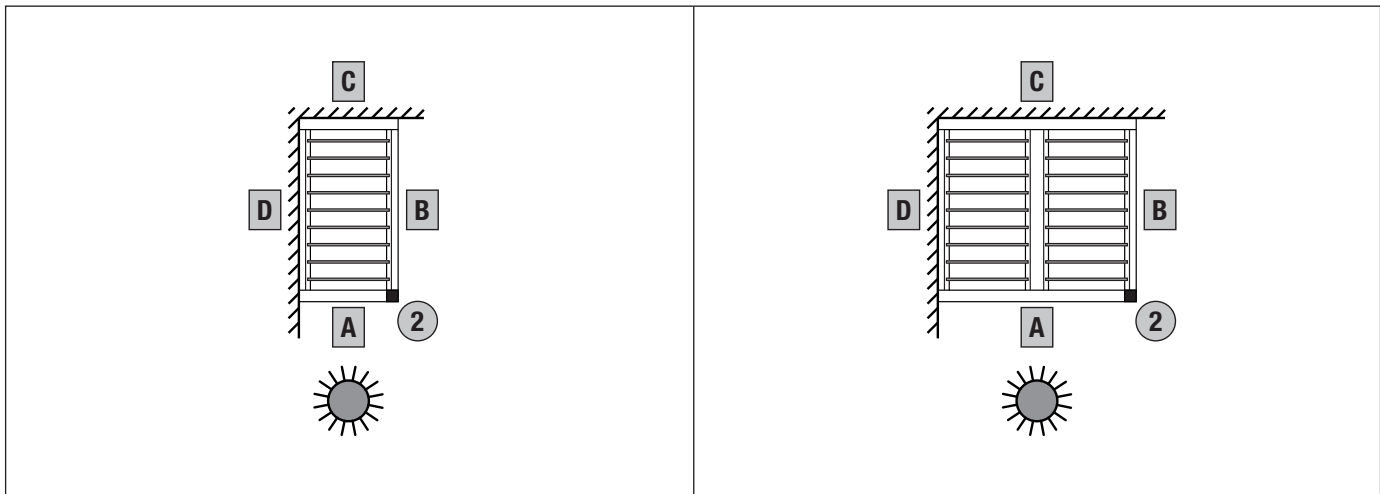
Wall connection variants with 2 support



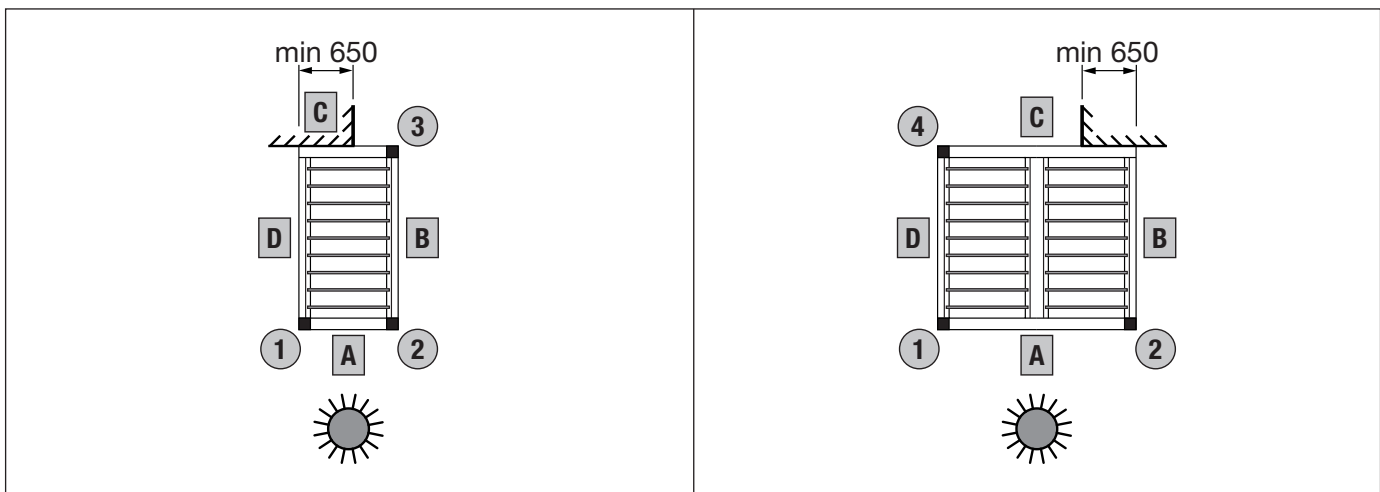
BAVONA TP6500 HARDTOP

Lamella roof

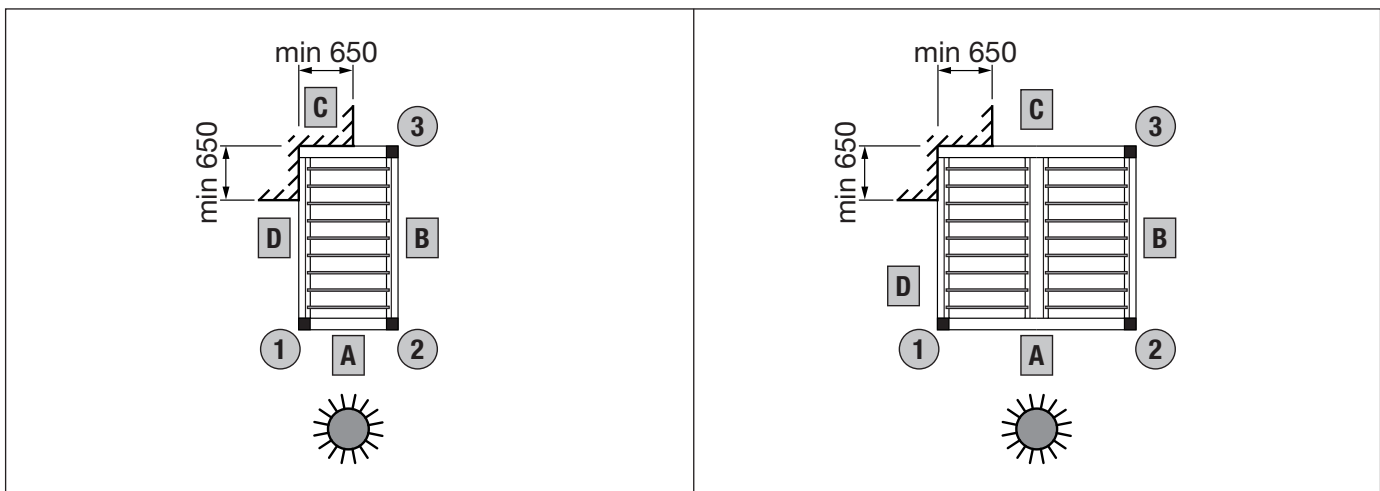
Corner connection on two long walls with 1 support



Wall connection on a shortened wall with 3 supports



Corner connection on two short walls with 3 supports

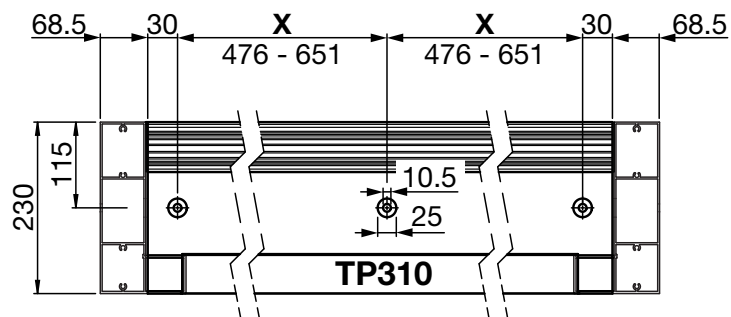


BAVONA TP6500 HARDTOP

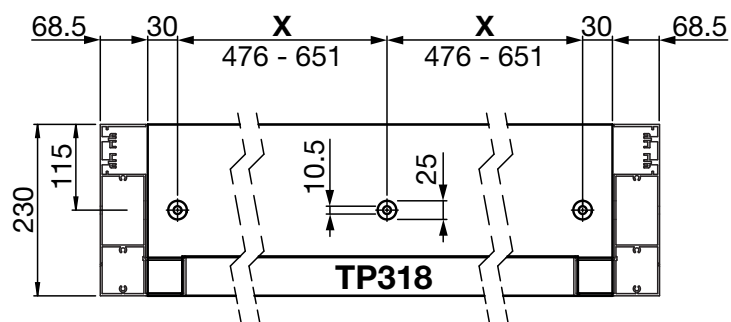
Lamella roof

Wall connection mounting (long wall)

Lateral profile with gutter TP310



End profile with gutter TP318



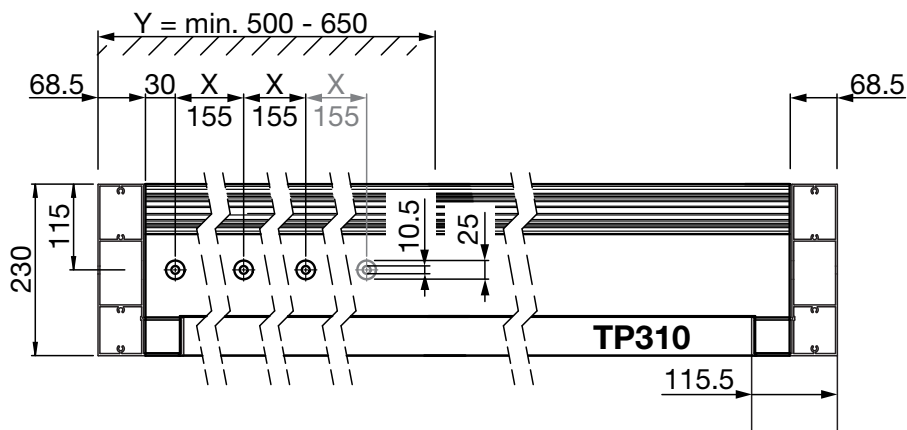
Total width (A / C) Total projection (B - D)	X =	Holes Piece
2000 - 2100 mm	601 - 635 mm	4
2201 - 2800 mm	476 - 651 mm	5
2801 - 3400 mm	521 - 641 mm	6
3401 - 4100 mm	534 - 651 mm	7
4101 - 4700 mm	558 - 644 mm	8
4701 - 5400 mm	563 - 651 mm	9
5401 - 6000 mm	579 - 645 mm	10

BAVONA TP6500 HARDTOP

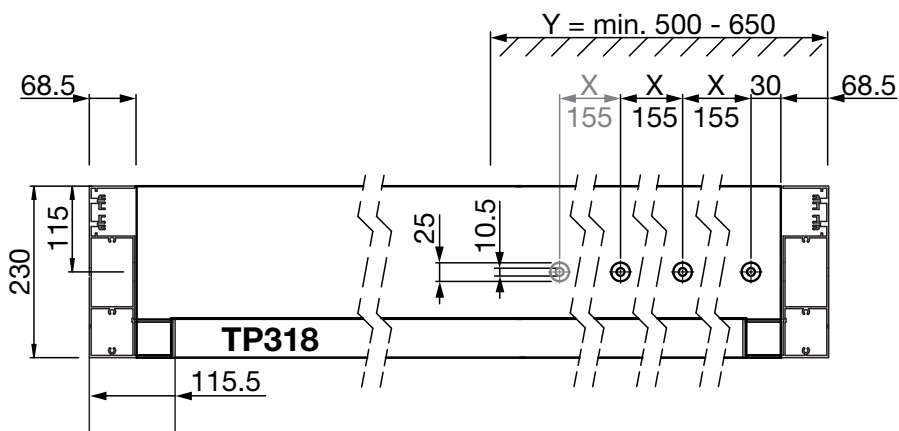
Lamella roof

Wall connection mounting (short wall)

Lateral profile with gutter TP310 (left / right)



End profile with gutter TP318 (left / right)



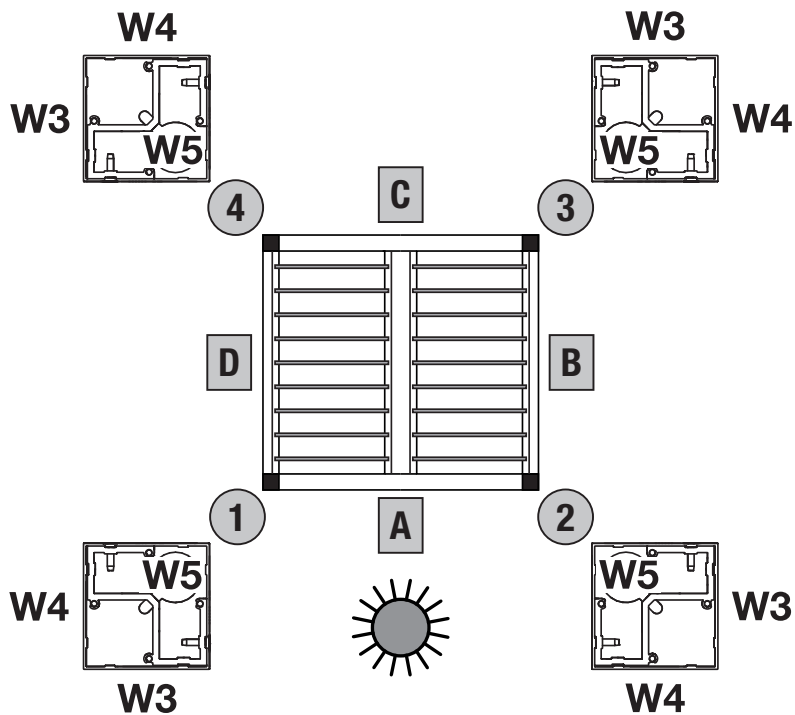
Total width (A / C) Total projection (B - D)	X =	Holes Piece	Y =
2000 - 2500 mm	155 mm	3	500
2501 - 4100 mm	155 mm	4	650
4101 - 6000 mm	155 mm	4	650

BAVONA TP6500 HARDTOP

Lamella roof

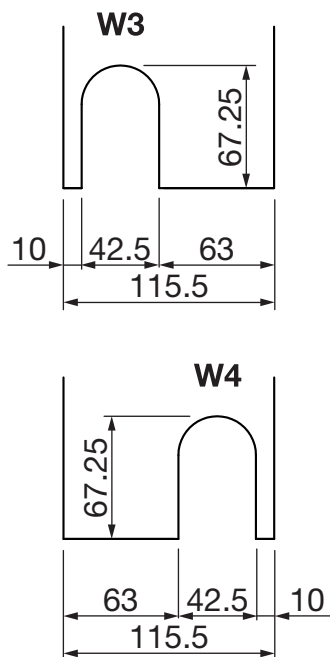
Drainage (W3, W4, W5)

Drainage and power supply in the same column is not possible

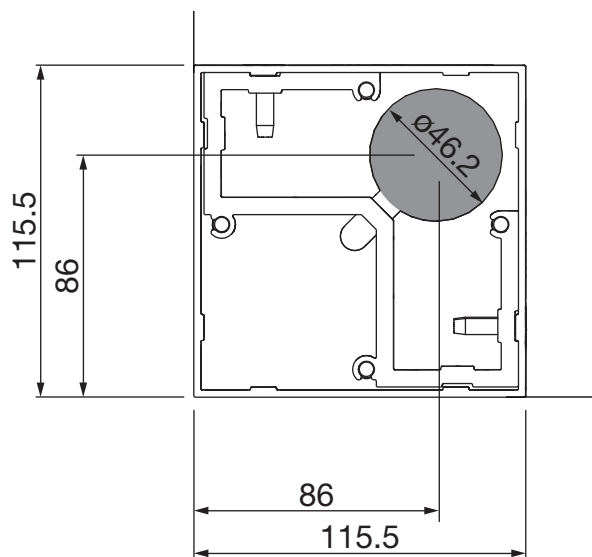


0 – 12 m² lamella surface one drain
 12 – 24 m² lamella surfaces two drains

W3, W4 = from the side of the support



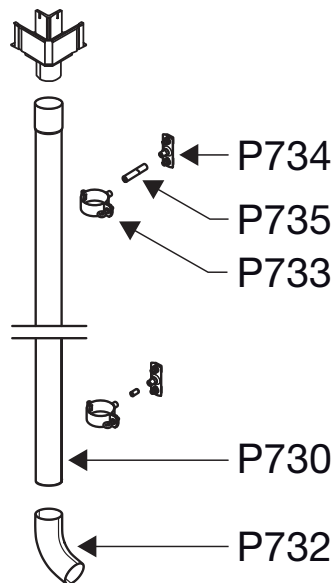
W5 = through the support below



BAVONA TP6500 HARDTOP

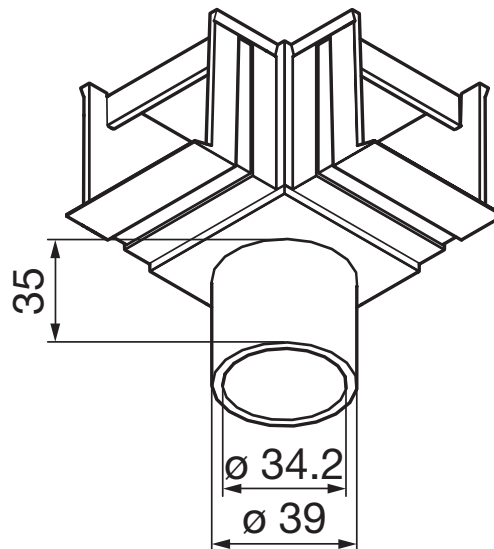
Lamella roof

Drainage (W1)



0 – 12 m² lamella surface one drain
12 – 24 m² lamella surfaces two drains

Drainage (WS TP307)

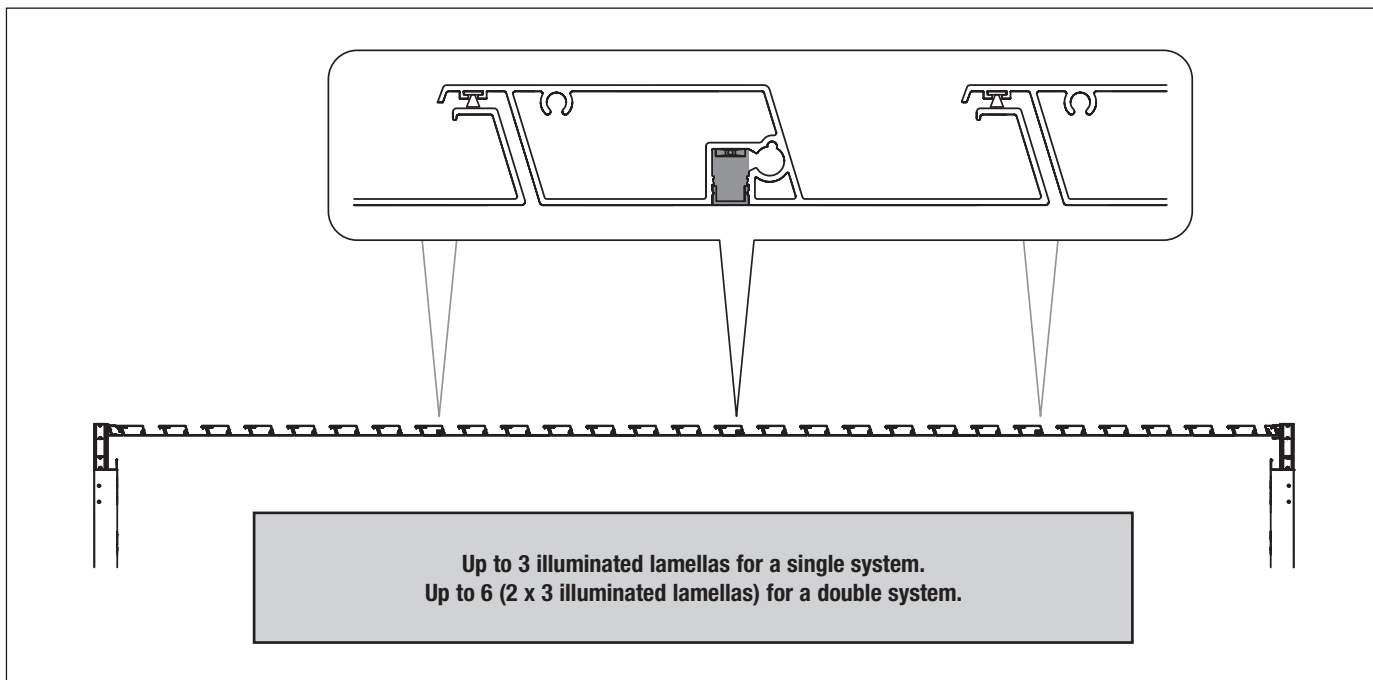


0 – 12 m² lamella surface one drain
12 – 24 m² lamella surfaces two drains

BAVONA TP6500 HARDTOP

Lamella roof

Lamella lighting SL100 / SLC100



LED white strips SL115 - SL140

		Total width = 228	278	328	378	428	450 cm
		Lengths LED Strips = 150	200	250	300	350	400 cm
SL115	1 x 12W = 12W	12W	LED white strips inclusive 600 cm Electrical cable				
	2 x 12W = 24W	12W					
	3 x 12W = 36W	12W					
SL120	1 x 16W = 16W	16W					
	2 x 16W = 32W	16W					
	3 x 16W = 48W	16W					
SL125	1 x 20W = 20W	20W					
	2 x 20W = 40W	20W					
	3 x 20W = 60W	20W					
SL130	1 x 24W = 24W	24W					
	2 x 24W = 48W	24W					
	3 x 24W = 72W	24W					
SL135	1 x 28W = 28W	28W					
	2 x 28W = 56W	28W					
	3 x 28W = 84W	28W					
SL140	1 x 32W = 32W	32W					
	2 x 32W = 64W	32W					
	3 x 32W = 96W	32W					

BAVONA TP6500 HARDTOP

Lamella roof

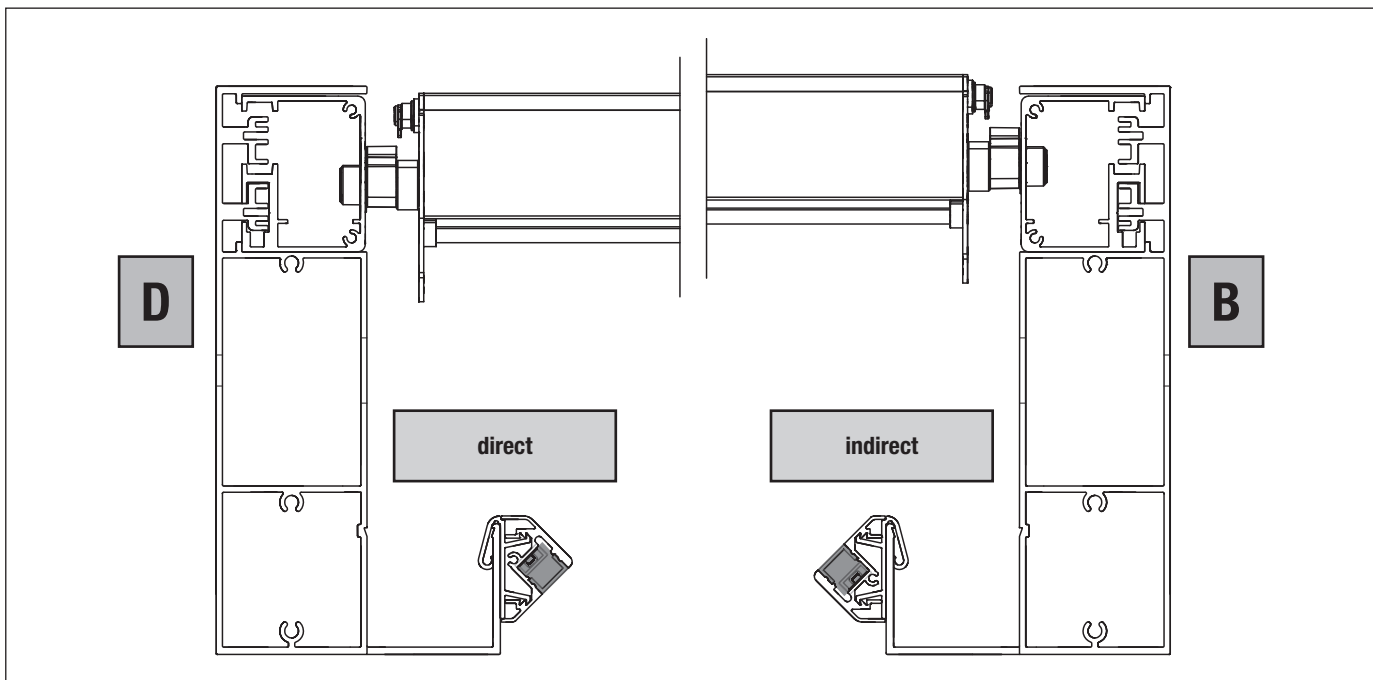
LED RGBW strips SLC115 - SLC140

		Total width = 228	278	328	378	428	450 cm
	Lenghts LED Strips = 150		200	250	300	350	400 cm
SLC115	1 x 28W = 28W	28W	LED RGBW strips inclusive 600 cm Electrical cable				
	2 x 28W = 56W	28W					
	3 x 28W = 84W	28W					
SLC120	1 x 36W = 36W	36W					
	2 x 36W = 72W	36W					
	3 x 36W = 108W	36W					
SLC125	1 x 44W = 44W	44W					
	2 x 44W = 88W	44W					
	3 x 44W = 132W	44W					
SLC130	1 x 52W = 52W	52W					
	2 x 52W = 104W	52W					
	3 x 52W = 156W	52W					
SLC135	1 x 60W = 60W	60W					
	2 x 60W = 120W	60W					
	3 x 60W = 180W	60W					
SLC140	1 x 67W = 67W	67W					
	2 x 67W = 134W	67W					
	3 x 67W = 201W	67W					

BAVONA TP6500 HARDTOP

Lamella roof

Optional lighting on the water channel



LED white lighting SL315 – SL355

		Total projection = 200	225	275	325	375	425	475	525	600 cm
		Lenghts LED Lighting = 150	200	250	300	350	400	450	500	550 cm
SL315	2 x 12W = 24W	12W 12W								
SL320	2 x 16W = 32W	16W 16W								
SL325	2 x 20W = 40W	20W 20W								
SL330	2 x 24W = 48W	24W 24W								
SL335	2 x 28W = 56W	28W 28W								
SL340	2 x 32W = 64W	32W 32W								
SL345	2 x 36W = 72W	36W 36W								
SL350	2 x 40W = 80W	40W 40W								
SL355	2 x 44W = 88W	44W 44W								

BAVONA TP6500 HARDTOP

Lamella roof

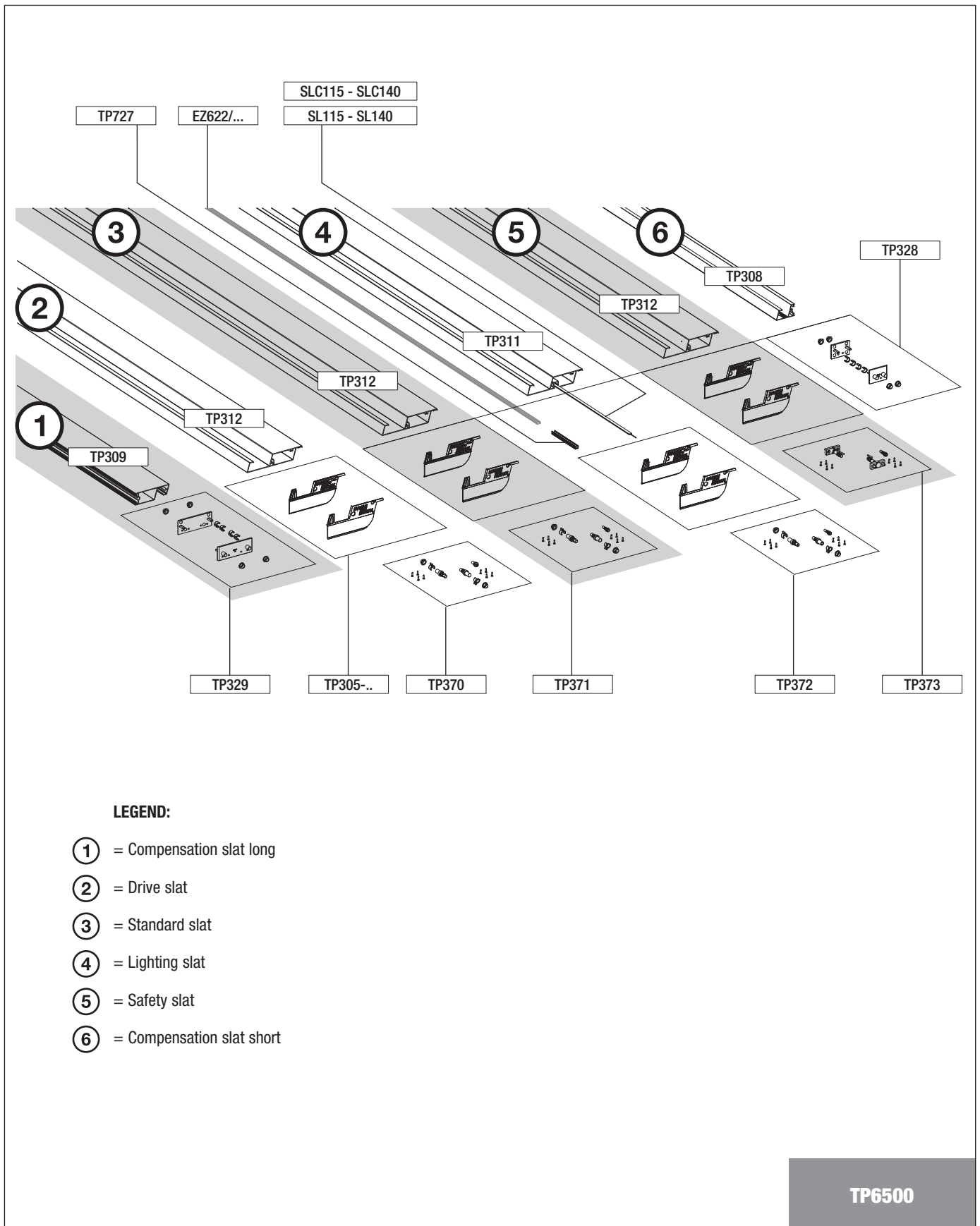
LED RGBW lighting SLC315 – SLC355

		Total projection =	200	225	275	325	375	425	475	525	600 cm
		Lenghts LED Lighting =	150	200	250	300	350	400	450	500	550 cm
SLC315	2 x 28W = 56W	28W									
		28W									
SLC320	2 x 36W = 72W	36W									
		36W									
SLC325	2 x 44W = 88W	44W									
		44W									
SLC330	2 x 52W = 104W	52W									
		52W									
SLC335	2 x 60W = 120W	60W									
		60W									
SLC340	2 x 67W = 134W	67W									
		67W									
SLC345	2 x 74W = 148W	74W									
		74W									
SLC350	2 x 80W = 160W	80W									
		80W									
SLC355	2 x 85W = 170W	85W									
		85W									

BAVONA TP6500 HARDTOP

Lamella roof

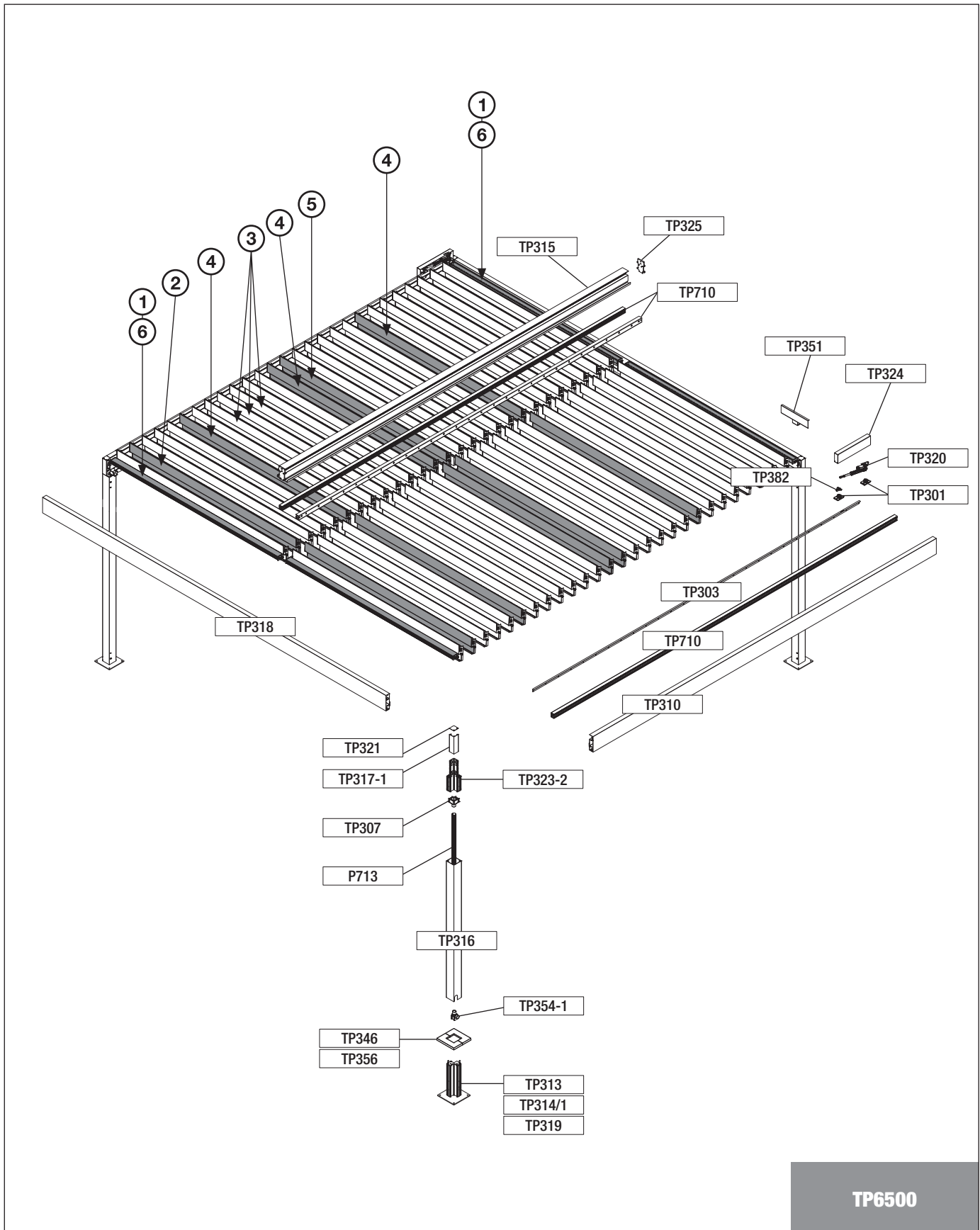
Explanatory drawing slats



BAVONA TP6500 HARDTOP

Lamella roof

Exploded view



BAVONA TP6500 HARDTOP

Lamella roof

Components list

TP301		Holder Drive Fittings		pc.
TP303		Carrier profile		pc.
TP305-..	for TP311, TP312	Fittings Lamella		pc.
TP307		Drip tray fittings (with support)		pc.
TP307-1		Drip tray fittings (without support)		pc.
TP308		Compensation profile, short		pc.
TP309		Compensation profile, long		pc.
TP310		Lateral profile with gutter		pc.
TP311		Lamella with light		pc.
TP312		Lamella without light		pc.
TP313		Foot plate fitting (Standard)		pc.
TP314-1		Foot plate fitting (Flooring covered mounting)		pc.
TP315		Centre profile with gutter		pc.
TP316		Post profile		pc.
TP317-1		Corner cover (with supports)	227.5 mm	pc.
TP317-2		Corner cover (Wall connection)	225 mm	pc.
TP318		End profile with gutter		pc.
TP319		Foot plate fitting (Corner)		pc.
TP321	for TP317-.	End cover fitting		pc.
TP323-2		Corner connection set (with supports)		pc.
TP323-3/1	for corner 1 / 3	Corner connection set		pc.
TP323-4/2	for corner 2 / 4	Corner connection set		pc.
TP324		Drive-cover fittings		pc.
TP325	for TP315	Fittings for centre profile		pc.
TP328	for TP308	Cover fittings for compensation profile, short		pc.
TP329	for TP309	Cover fittings for compensation profile, long		pc.
TP333		Fixing angle set (ceiling, mounted assembly)		pc.
TP335		Cover fitting		pc.
TP346	for TP313	Footplates cover set standard		pc.
TP351		Cover plate		pc.
TP354-1		Water drain bottom large		pc.
TP356	for TP319	Footplates corner cover		pc.
TP368		PUR filter foam, black (water channel)	15 x 51 x 2000 mm	pc.
TP370	for TP312	Drive slat set		pc.
TP371	for TP312	Slat set		pc.
TP372	for TP311	Lighting slat set		pc.

BAVONA TP6500 HARDTOP

Lamella roof

TP373	for TP312	Slat lock set		pc.
TP382		Carrier fittings		pc.
TP710	for TP310	Guide profile		pc.
TP727	for TP311	Internal cover profile		lm
P703	for P713	Hose clip		pc.
P713		Hose		lm
P730		Roof drain pipe		pc.
P731	for P730	Roof drain angle bracket 85°		pc.
P732	for P730	Roof drain bend 70°		pc.
P733	for P730	Drain pipe clamp		pc.
P734	for P730	Base plate		pc.
P735	for P730	Treaded bar		lm
S359		AV plastic cover		pc.
	for TP316	Torx screw cover set		pc.
	black	GYSO-Unisilicon 707	90 ml	pc.
TP320		Motor drive		pc.
PERGOLA TILT io		Control unit PERGOLA Tilt io		pc.
EZ622/150 EZ622/200 EZ622/250 EZ622/300		Plastic cover	150 cm 200 cm 250 cm 300 cm	pc. pc. pc. pc.
ECM1103		Insert 1 or 2 drive	on/off	pc.
ECM1303		Insert 1 or 2 drive	Radio io	pc.
ECC1304	LED white	Insert 1 or 2 drive, 1 Lighting LED white	Radio io 200 W	pc.
ECC1305	LED RGBW	Insert 1 or 2 drive, 1 Lighting LED RGBW	Radio io 200 W	pc.
ECL1103	LED white	Insert lighting LED white	120 W on/off 1-10V	pc.
ECL1303	LED white	Insert lighting LED white	200 W io	pc.
ECL1305	LED RGBW	Insert RGBW	200 W io	pc.
SL115 SL120 SL125 SL130 SL135 SL140		LED white strips inclusive 600 cm Electrical cable	150 cm 200 cm 250 cm 300 cm 350 cm 400 cm	pc. pc. pc. pc. pc. pc.
SLC115 SLC120 SLC125 SLC130 SLC135 SLC140		LED RGBW strips inclusive 600 cm Electrical cable	150 cm 200 cm 250 cm 300 cm 350 cm 400 cm	pc. pc. pc. pc. pc. pc.

BAVONA TP6500 HARDTOP

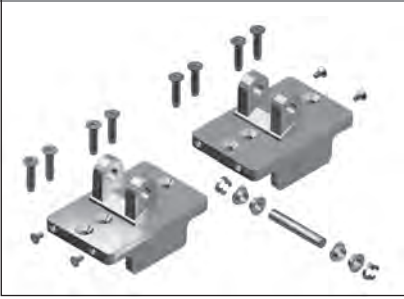
Lamella roof

SL315		SL300 LED white lighting complete	150 cm	pc.
SL320			200 cm	pc.
SL325			250 cm	pc.
SL330			300 cm	pc.
SL335			350 cm	pc.
SL340			400 cm	pc.
SL345			450 cm	pc.
SL350			500 cm	pc.
SL355			550 cm	pc.
SLC315		SLC300 RGBW LED lighting complete	150 cm	pc.
SLC320			200 cm	pc.
SLC325			250 cm	pc.
SLC330			300 cm	pc.
SLC335			350 cm	pc.
SLC340			400 cm	pc.
SLC345			450 cm	pc.
SLC350			500 cm	pc.
SLC355			550 cm	pc.

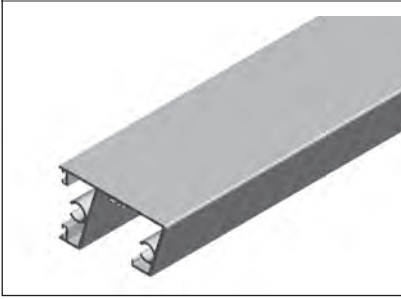
BAVONA TP6500 HARDTOP

Lamella roof

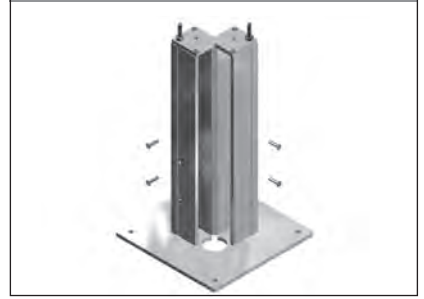
TP301



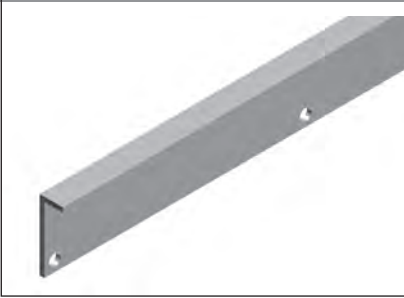
TP308



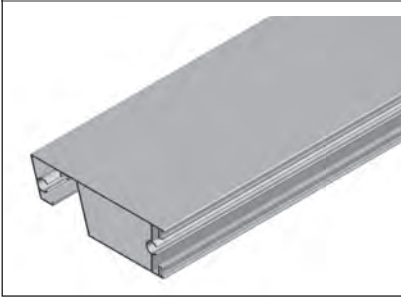
TP313



TP303



TP309



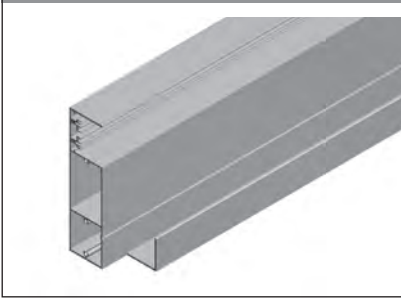
TP314-1



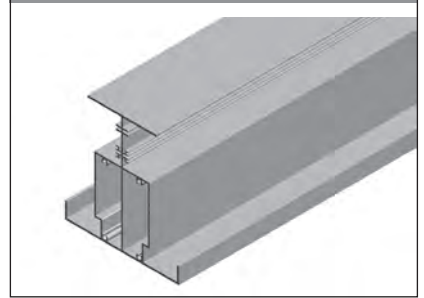
TP305-..



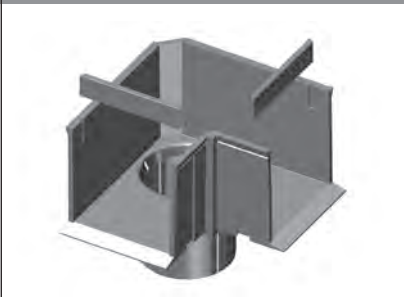
TP310



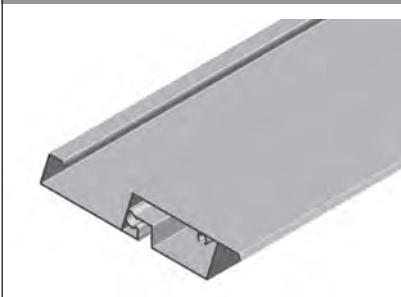
TP315



TP307



TP311



TP316



TP307-1



TP312



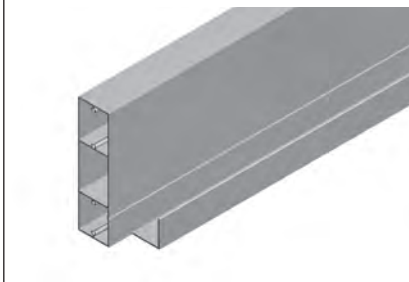
TP317-1 / TP317-2



BAVONA TP6500 HARDTOP

Lamella roof

TP318



TP323-4/2



TP333



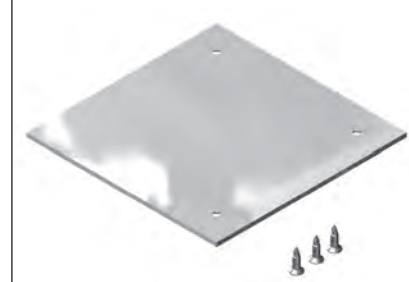
TP319



TP324



TP335



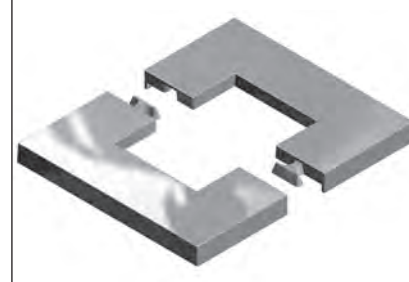
TP321



TP325



TP346



TP323-2



TP328



TP351



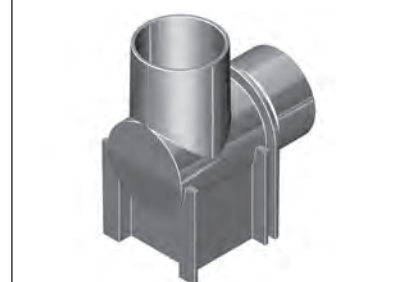
TP323-3/1



TP329



TP354-1



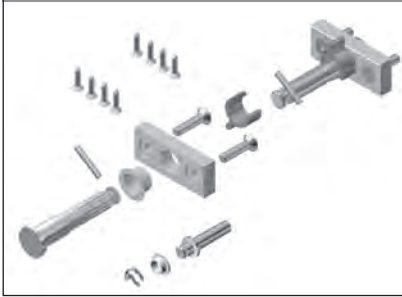
BAVONA TP6500 HARDTOP

Lamella roof

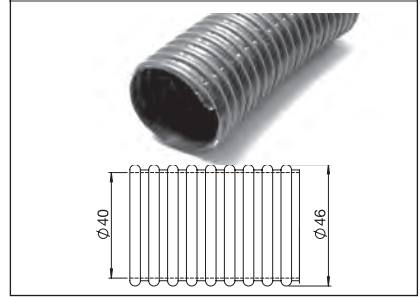
TP356



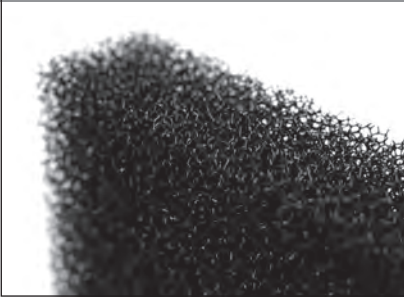
TP373



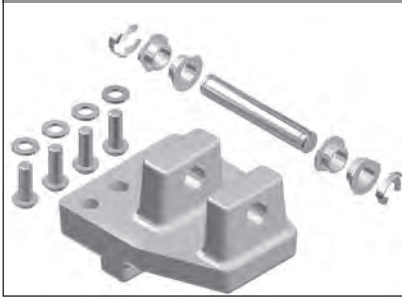
P713



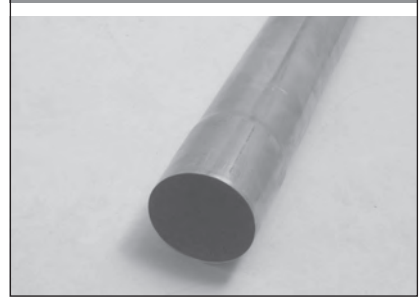
TP368



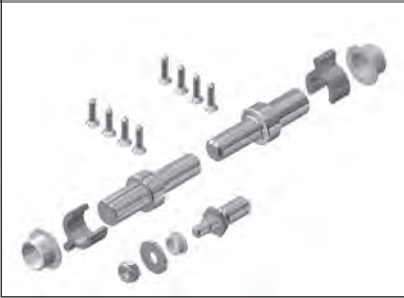
TP382



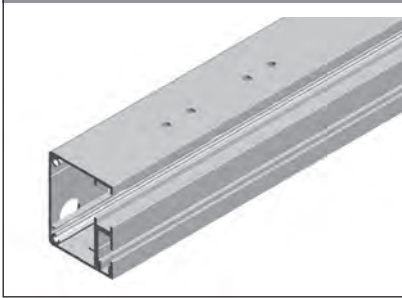
P730



TP370



TP710



P731



TP371



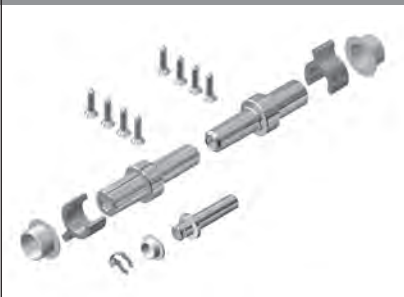
TP727



P732



TP372



P703



P733



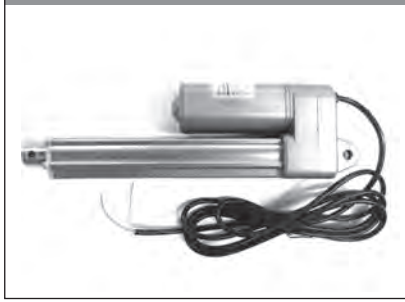
BAVONA TP6500 HARDTOP

Lamella roof

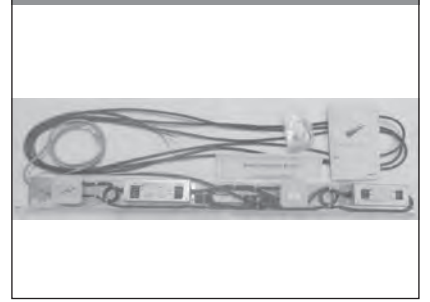
P734



TP320



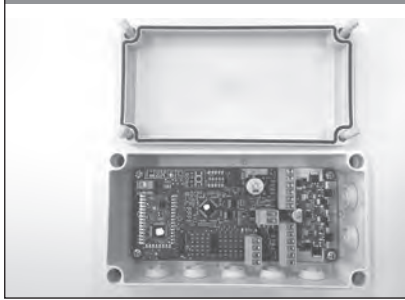
ECC1304



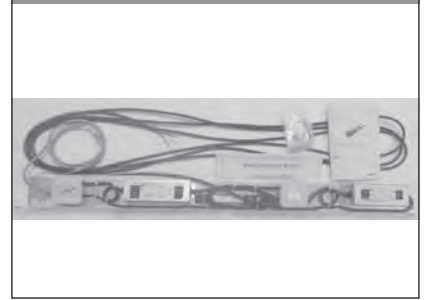
P735



PERGOLA TILT io



ECC1305



S359



EZ622/...



ECL1103



Screw cover



ECM1103



ECL1303



GYSO-Unisilicon 707



ECM1303



ECL1305



BAVONA TP6500 HARDTOP

Lamella roof

SL / SLC115 - 140



SL / SLC315 - 355

