

NYON PLUS GP4200

Glass roof systems

GP4200



	min. 50 cm max. 600 cm *		min. 100 cm max. 450 cm
---	-----------------------------	---	----------------------------

	3° – 15° **		3° – 15° **
---	-------------	---	-------------

	min. 130 cm max. 240 cm
---	----------------------------

* coupled up to max. 2400 cm

** **Inclination less than 5°:** Backflow of water at the rafter cannot be excluded.

Description

The glass roof, without thermal partitioning, has an aluminum construction and is powder-coated. Roofing is provided by integrated laminated safety glass (VSG 10 or 12 mm). The roof can withstand loads of up to 600 kg per square meter. The patented wall fittings enable an inclination of 3–15° (can be set up on site). This can support design tolerances of +/- 4 mm. The front water channel is optional. The NYON PLUS GP4200 is available with protrusion and in various colors.

Options

Shading: On the glass roof
Recommendation: ARNEX PS8000

Drainage: Available with optional spouts or drain tube (one drainage per 17 m² necessary).

Integrated LED lighting in the rafters:

SLS100 LED spotlights (2700 K, 3000 K, 4000 K)
LED-Strips SLT100 (3700–5000 K)

The built-in SL100 solution is covered by a reflector plastic profile.

Operation: LED spots:

- On, off, or dim with an external light switch
- On, off, or dim with remote control (Somfy io)

Operation: LED strips:

- On, off, dim, or adjust color with remote control (Somfy io)

Front/side shading:

VM720/3 for adaptive mounting.

Glazing:

All-glass sliding system SV1020 can be used as front and side glazing. The fixed glazing system SV1051 is used as side glazing (e.g. as spikes) in combination with the SV1020. The maximum front or side area of 15 m² per side must not be exceeded.

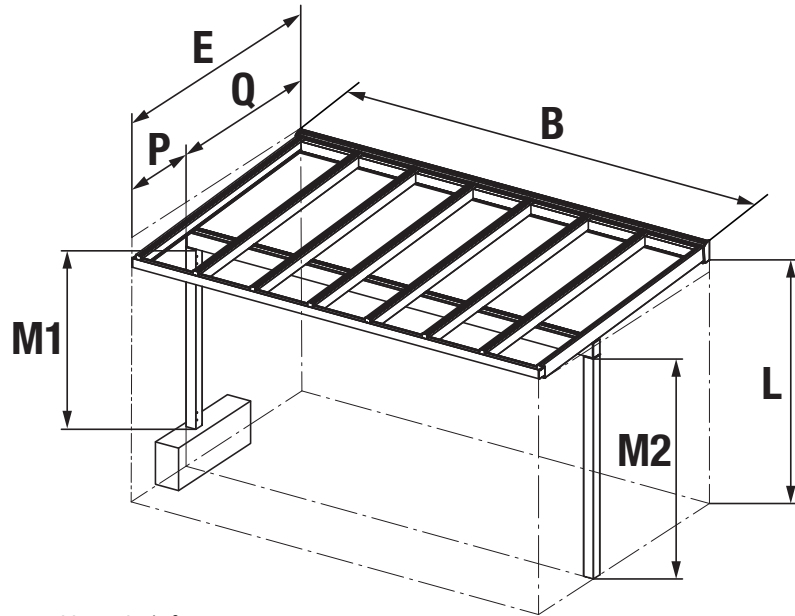
METHOD OF DELIVERY

The glass roof system assembled as far as possible. Wall connection, rafters, water channel and supports are supplied loose. Systems over **600 cm** are coupled.

NYON PLUS GP4200

Glass roof systems

Installation (standard)



Legend

B = Total width

E = Horizontal overhang

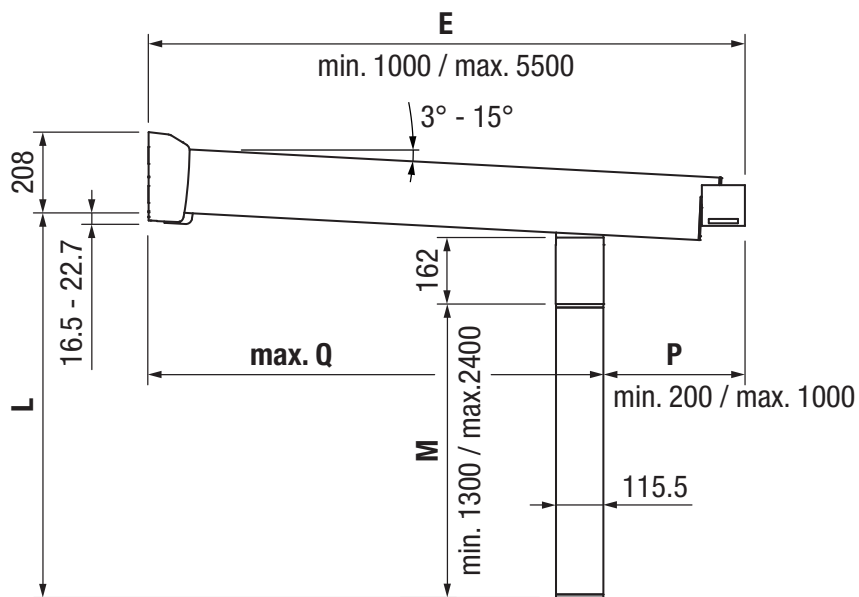
P = Crossbeam recessed

L = Rear height (lower edge of wall connection)

M = Front height (lower edge of water channel)

Q = max. 4500 mm with 85 kg/m² = max. 3750 mm with 300 kg/m²
 = max. 4300 mm with 125 kg/m² = max. 3500 mm with 450 kg/m²
 = max. 4000 mm with 200 kg/m² = max. 3400 mm with 600 kg/m²

Side view (standard)

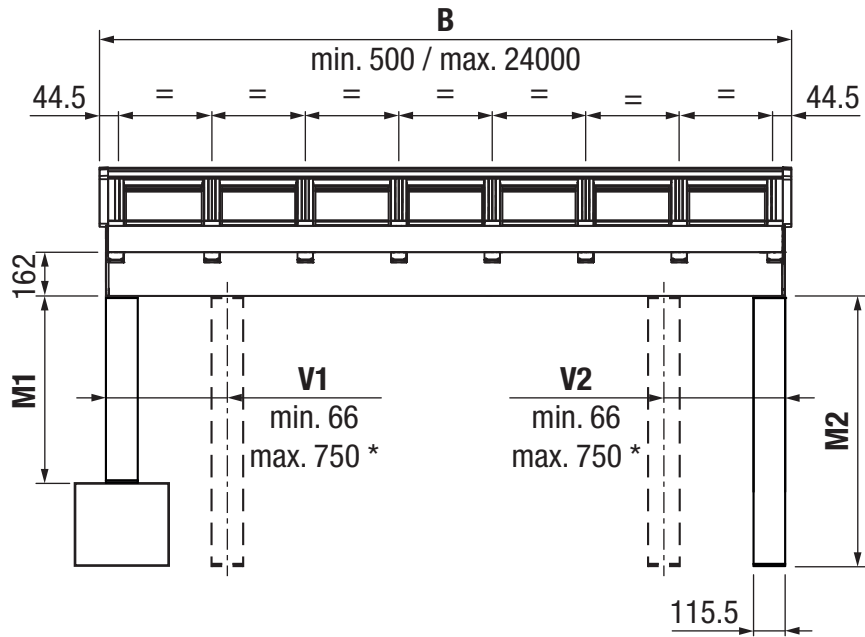


E = Horizontal overhang (min. 1000 mm / max. according to roof load)

NYON PLUS GP4200

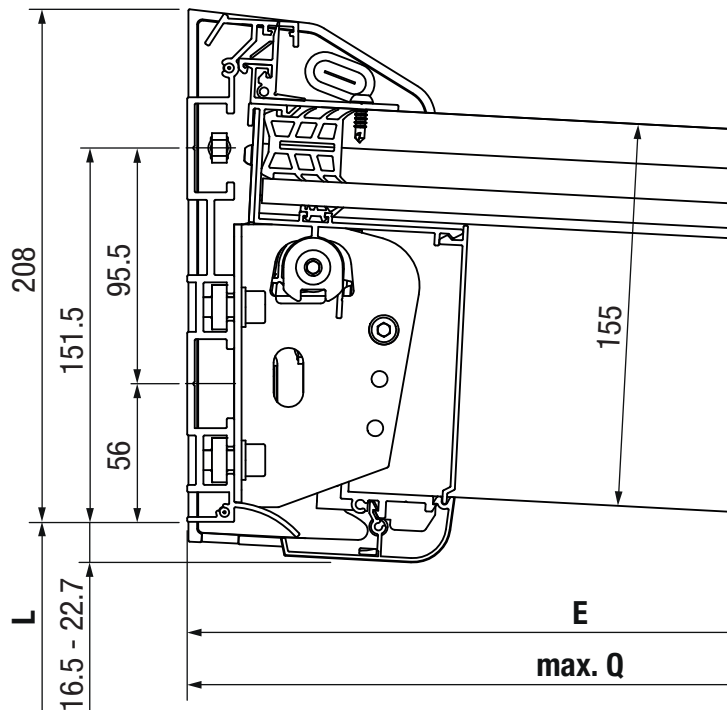
Glass roof systems

Front view (standard)



B = Total width (wall fitting profile with both side covers)
 * = With roof load 600 kg/m², V1 / V2 = max. 500 mm

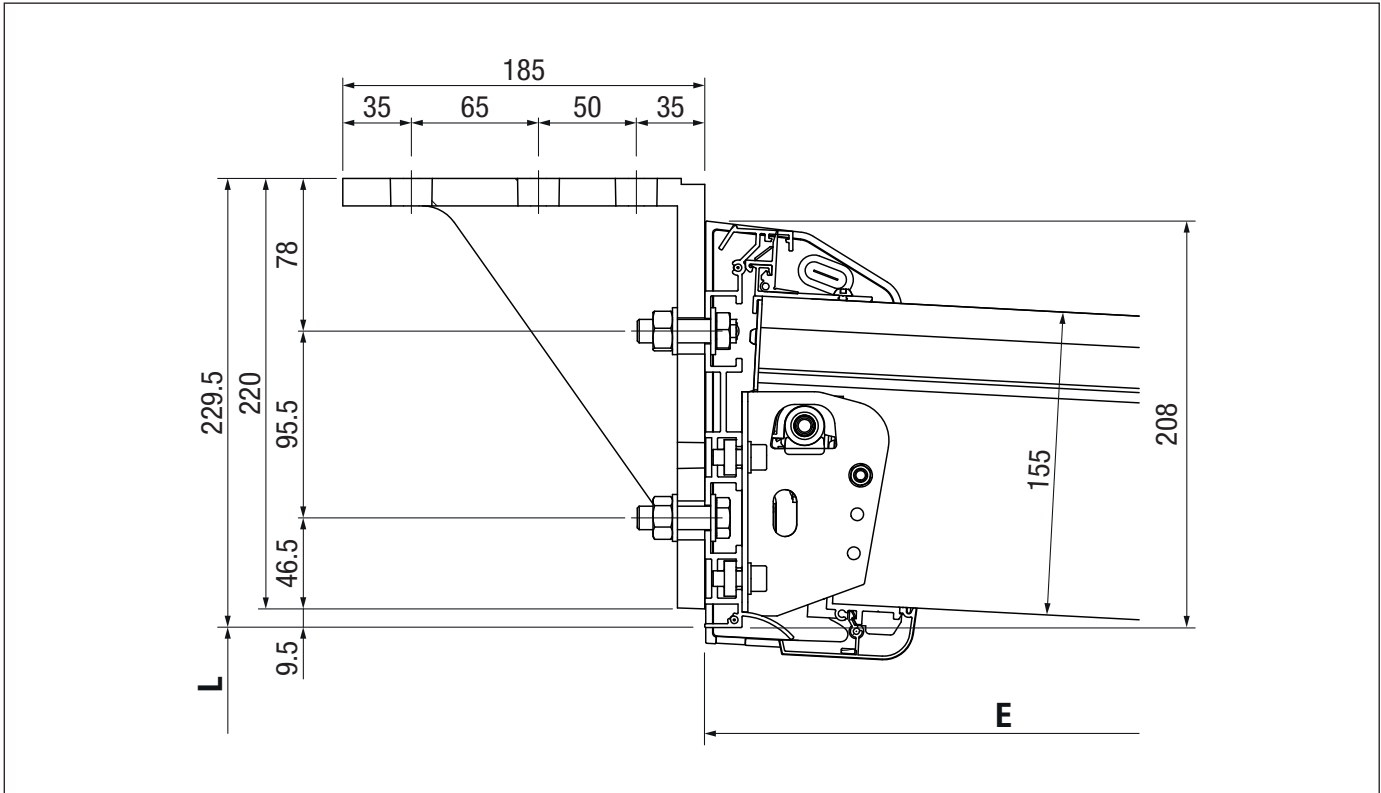
Wall fixing



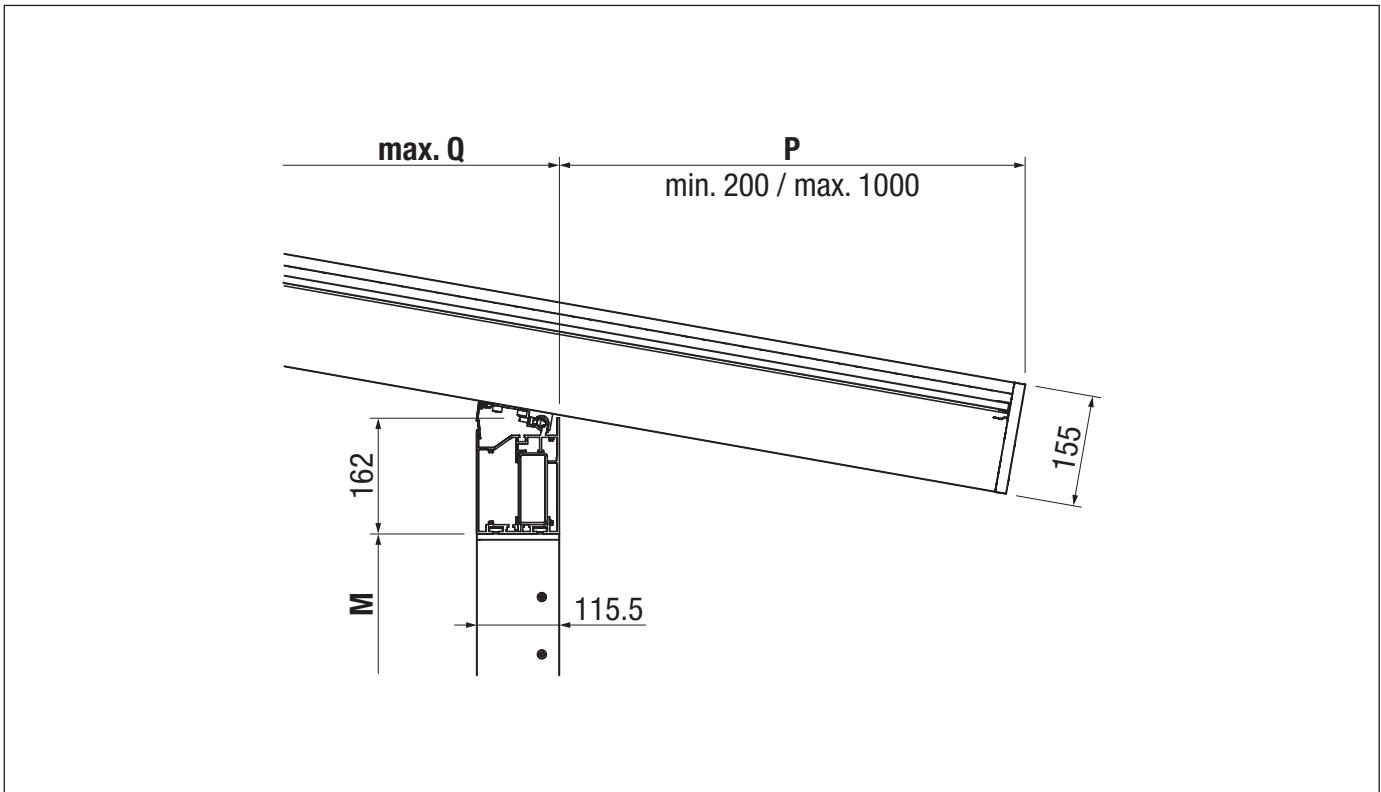
NYON PLUS GP4200

Glass roof systems

Top fixing



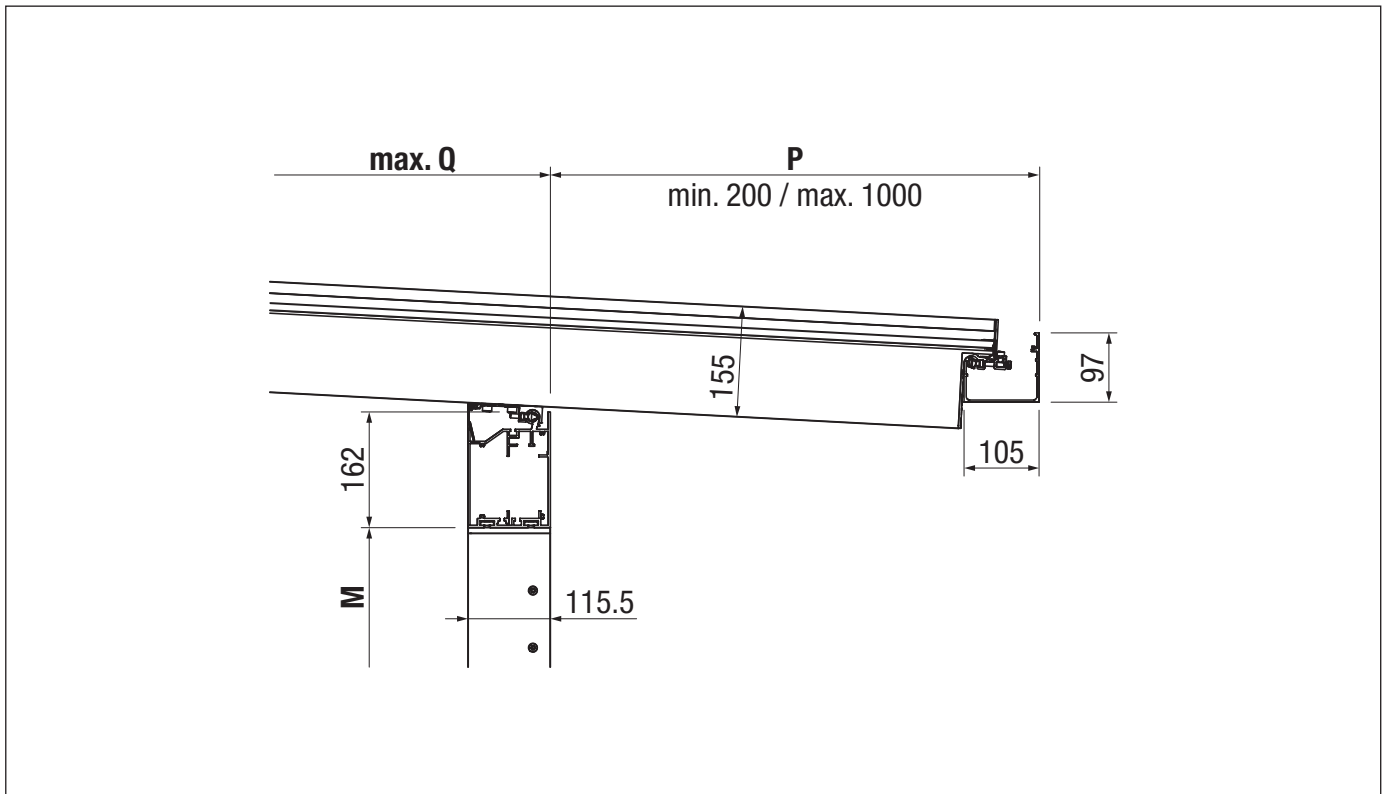
With GP428 rafters end profile (without water channel)



NYON PLUS GP4200

Glass roof systems

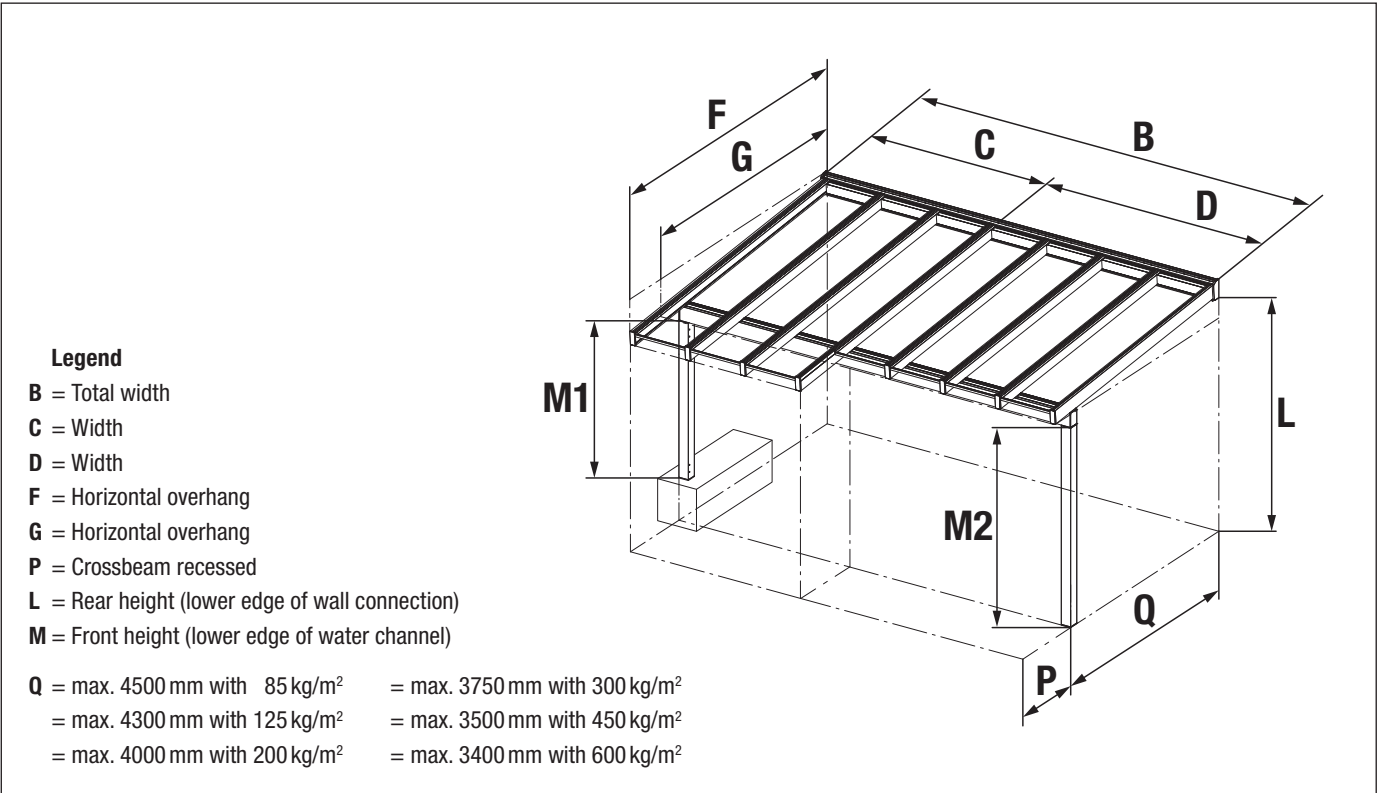
With small water channel GP424



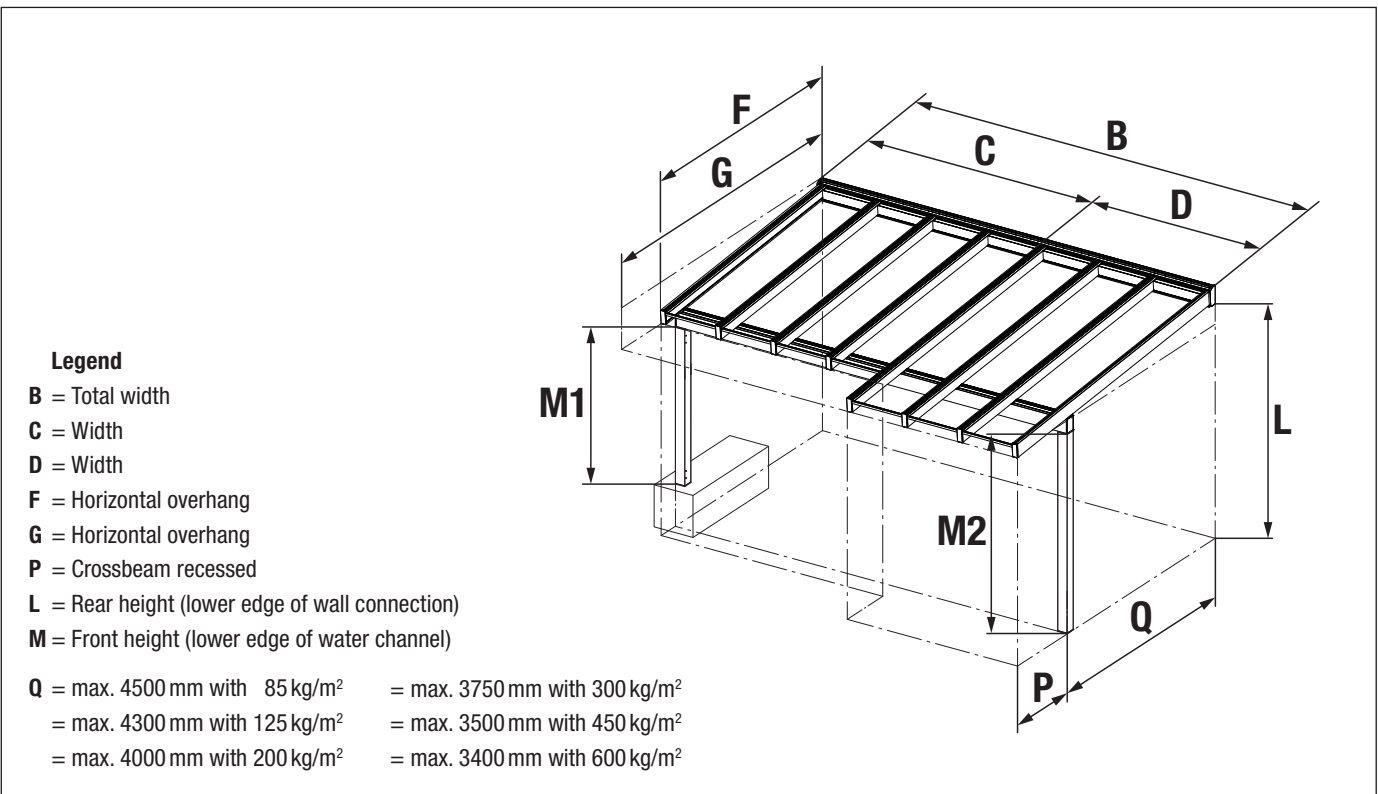
NYON PLUS GP4200

Glass roof systems

Installation (special design A1)



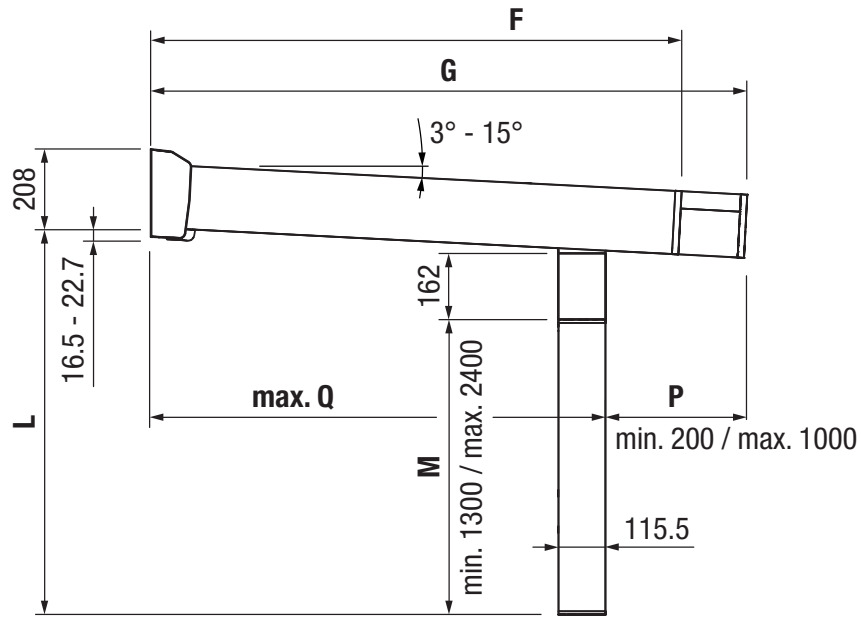
Installation (special design A2)



NYON PLUS GP4200

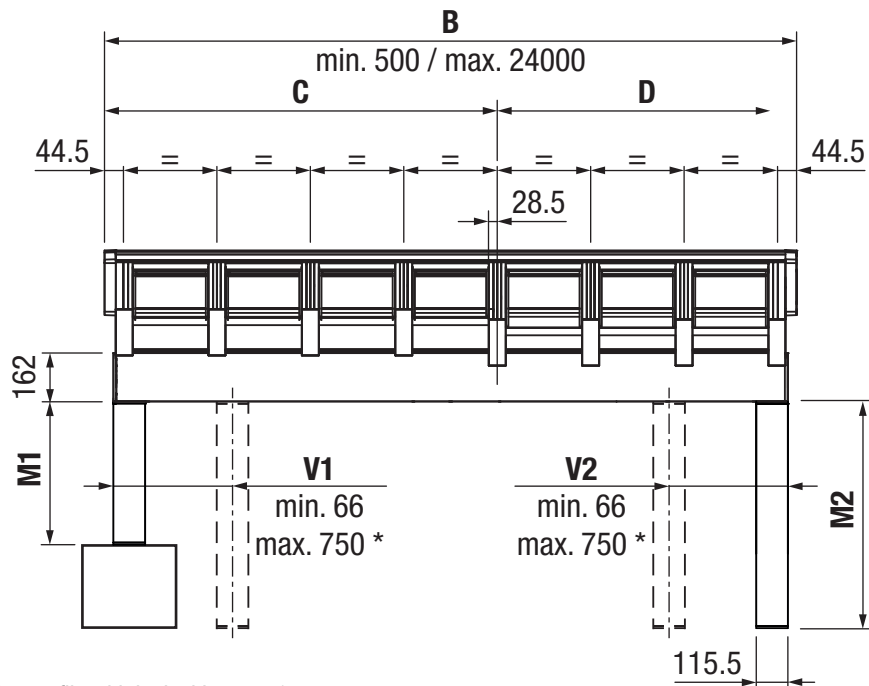
Glass roof systems

Side view (special design A2)



F / G = Horizontal overhang (min. 1000 mm / max. according to roof load)

Front view (special design A2)



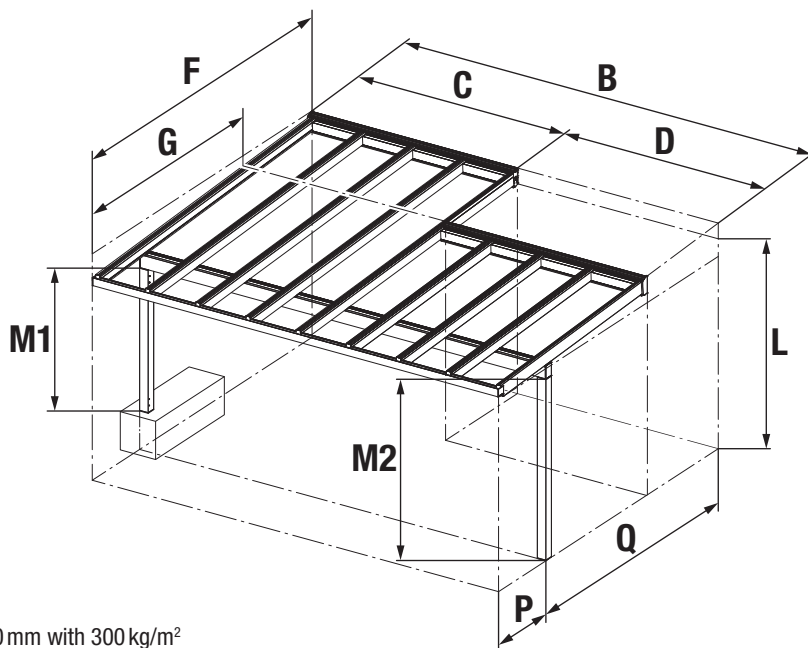
B = Total width (wall fitting profile with both side covers)

* = With roof load 600 kg/m², V1 / V2 = max. 500 mm

NYON PLUS GP4200

Glass roof systems

Installation (special design B1)

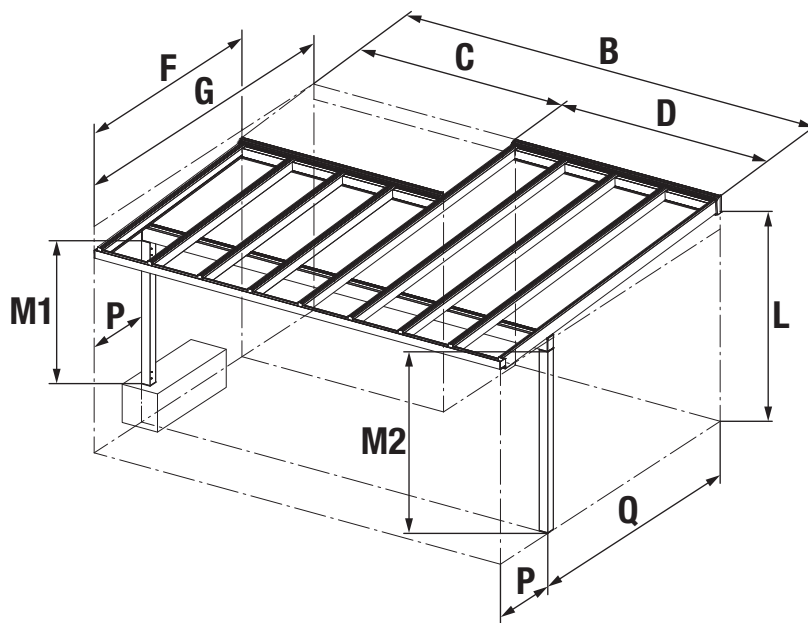


Legend

- B** = Total width
- C** = Width
- D** = Width
- F** = Horizontal overhang
- G** = Horizontal overhang
- P** = Crossbeam recessed
- L** = Rear height (lower edge of wall connection)
- M** = Front height (lower edge of water channel)

Q = max. 4500 mm with 85 kg/m ²	= max. 3750 mm with 300 kg/m ²
= max. 4300 mm with 125 kg/m ²	= max. 3500 mm with 450 kg/m ²
= max. 4000 mm with 200 kg/m ²	= max. 3400 mm with 600 kg/m ²

Installation (special design B2)



Legend

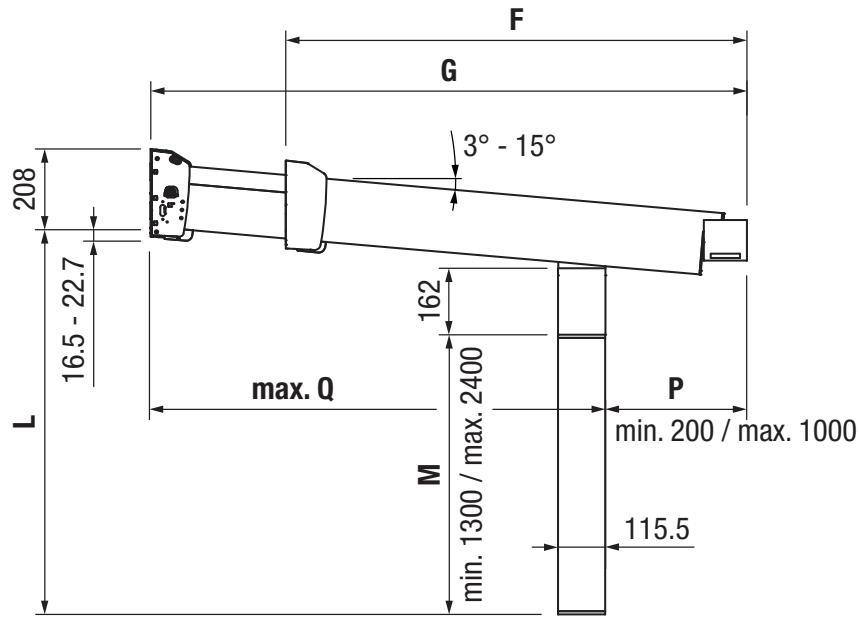
- B** = Total width
- C** = Width
- D** = Width
- F** = Horizontal overhang
- G** = Horizontal overhang
- P** = Crossbeam recessed
- L** = Rear height (lower edge of wall connection)
- M** = Front height (lower edge of water channel)

Q = max. 4500 mm with 85 kg/m ²	= max. 3750 mm with 300 kg/m ²
= max. 4300 mm with 125 kg/m ²	= max. 3500 mm with 450 kg/m ²
= max. 4000 mm with 200 kg/m ²	= max. 3400 mm with 600 kg/m ²

NYON PLUS GP4200

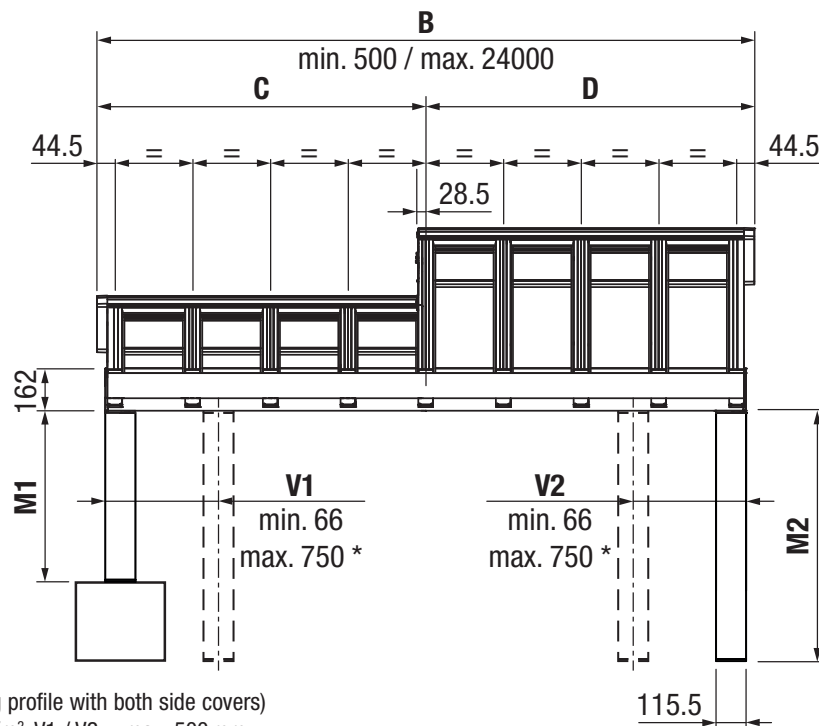
Glass roof systems

Side view (special design B2)



F / G = Horizontal overhang (min. 1000 mm / max. according to roof load)

Front view (special design B2)



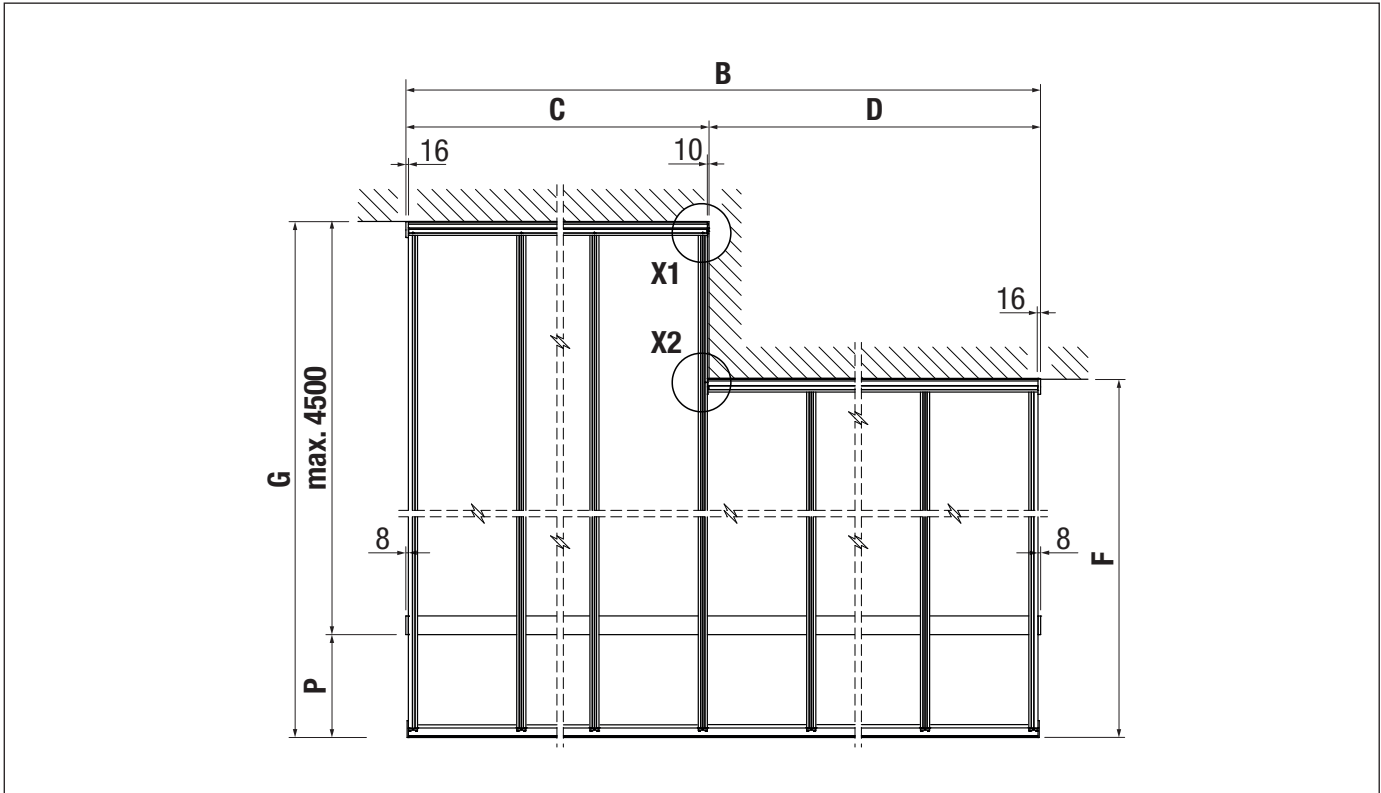
B = Total width (wall fitting profile with both side covers)

* = With roof load 600 kg/m², V1 / V2 = max. 500 mm

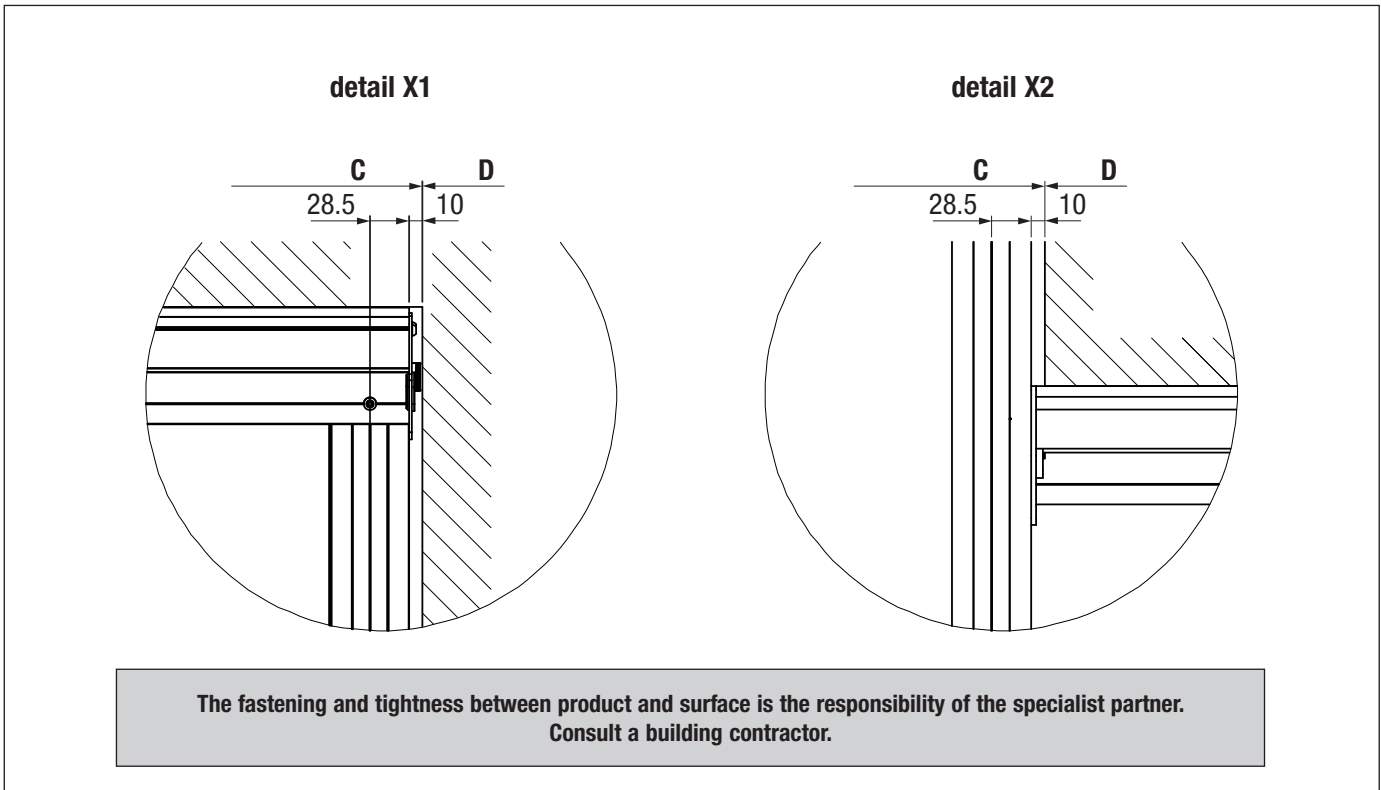
NYON PLUS GP4200

Glass roof systems

Layout (Special design B1)



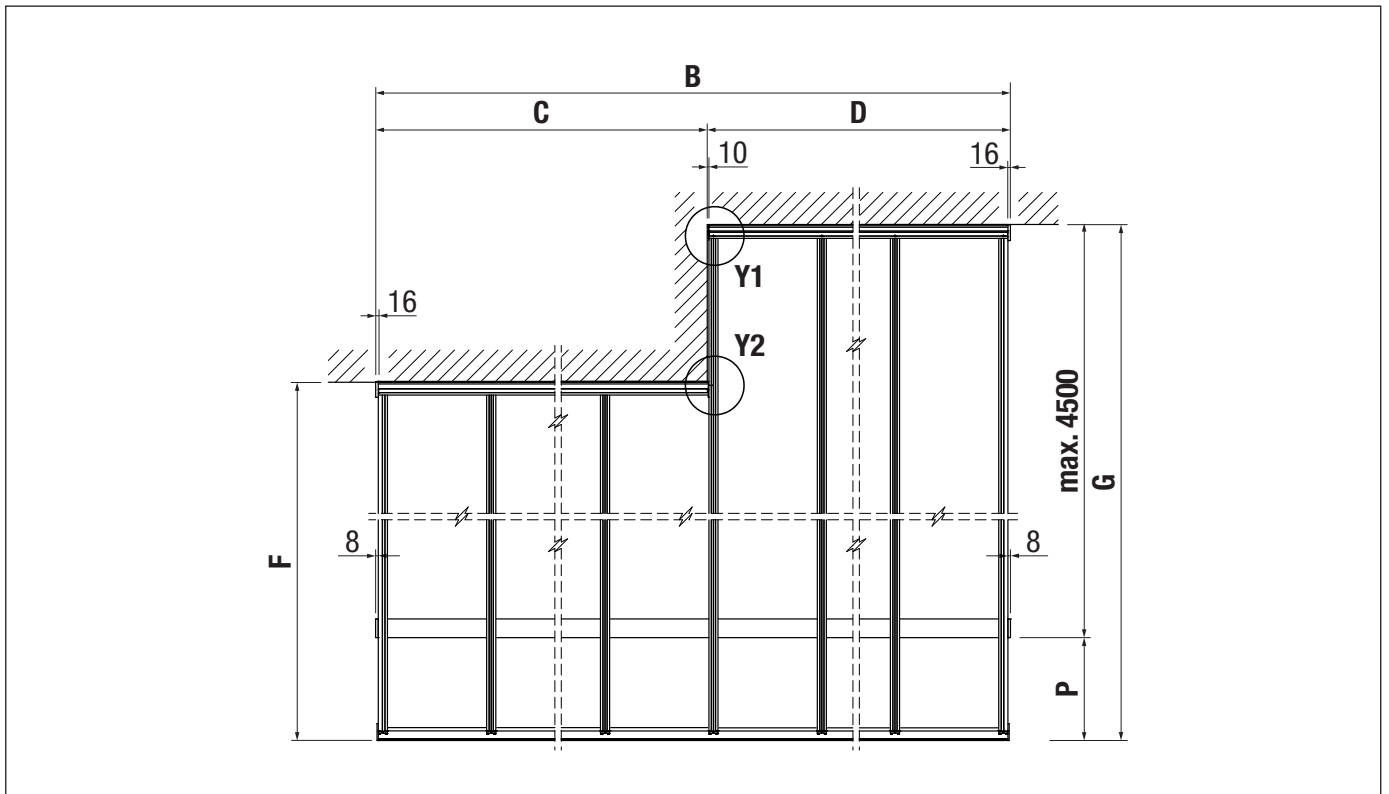
Wall fitting (detail X1 / X2)



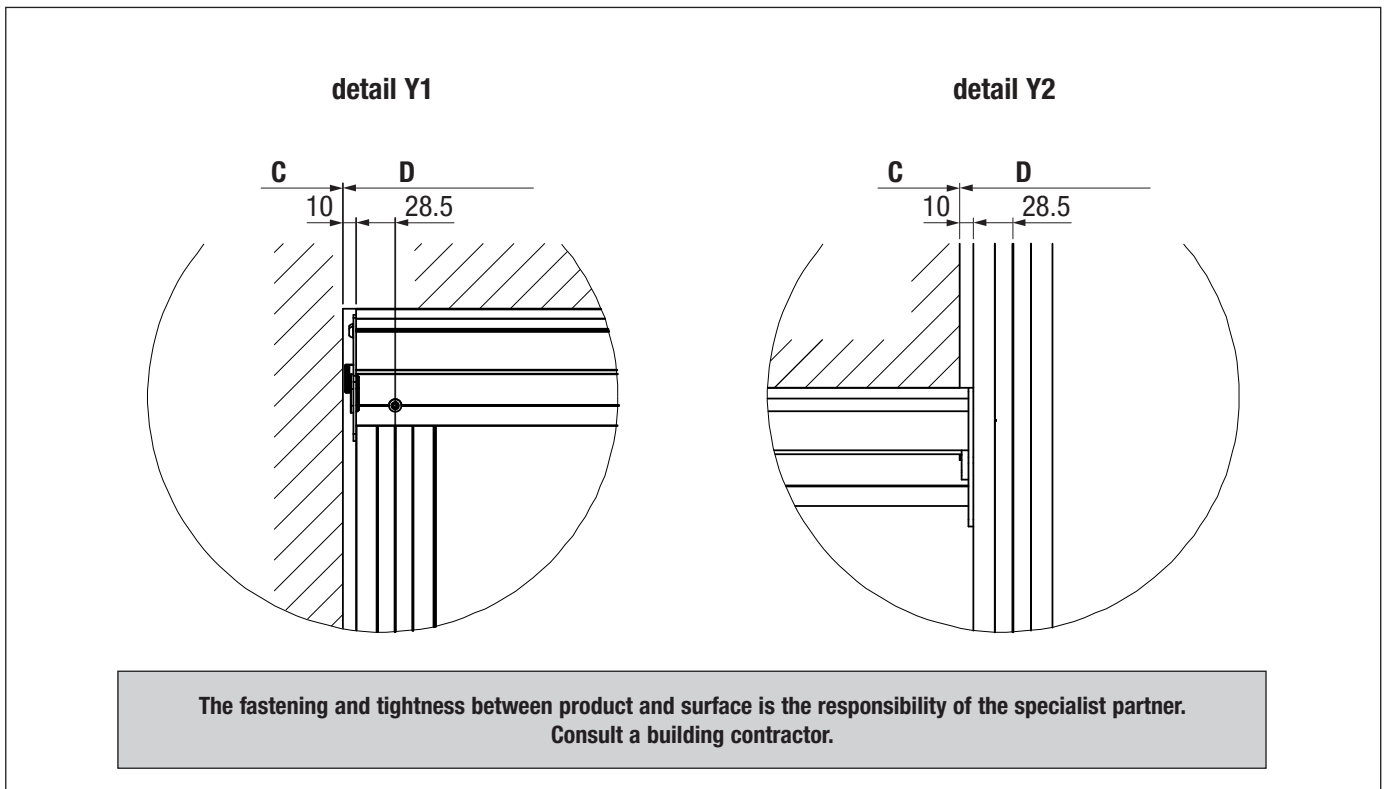
NYON PLUS GP4200

Glass roof systems

Layout (special design B2)



Wall fitting (detail Y1 / Y2)

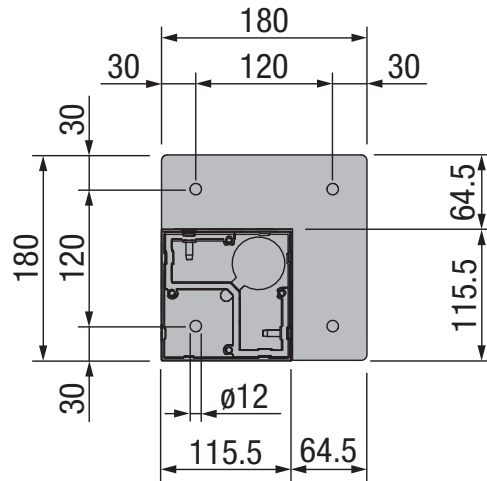


The fastening and tightness between product and surface is the responsibility of the specialist partner.
Consult a building contractor.

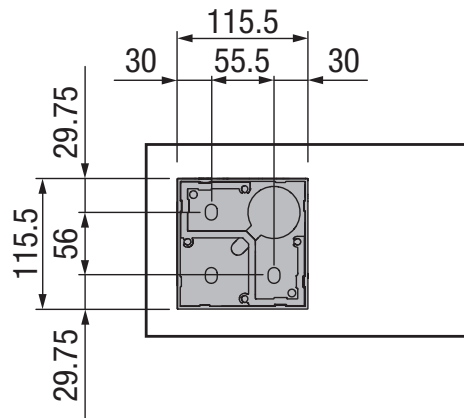
NYON PLUS GP4200

Glass roof systems

Footplate GP319 Corner



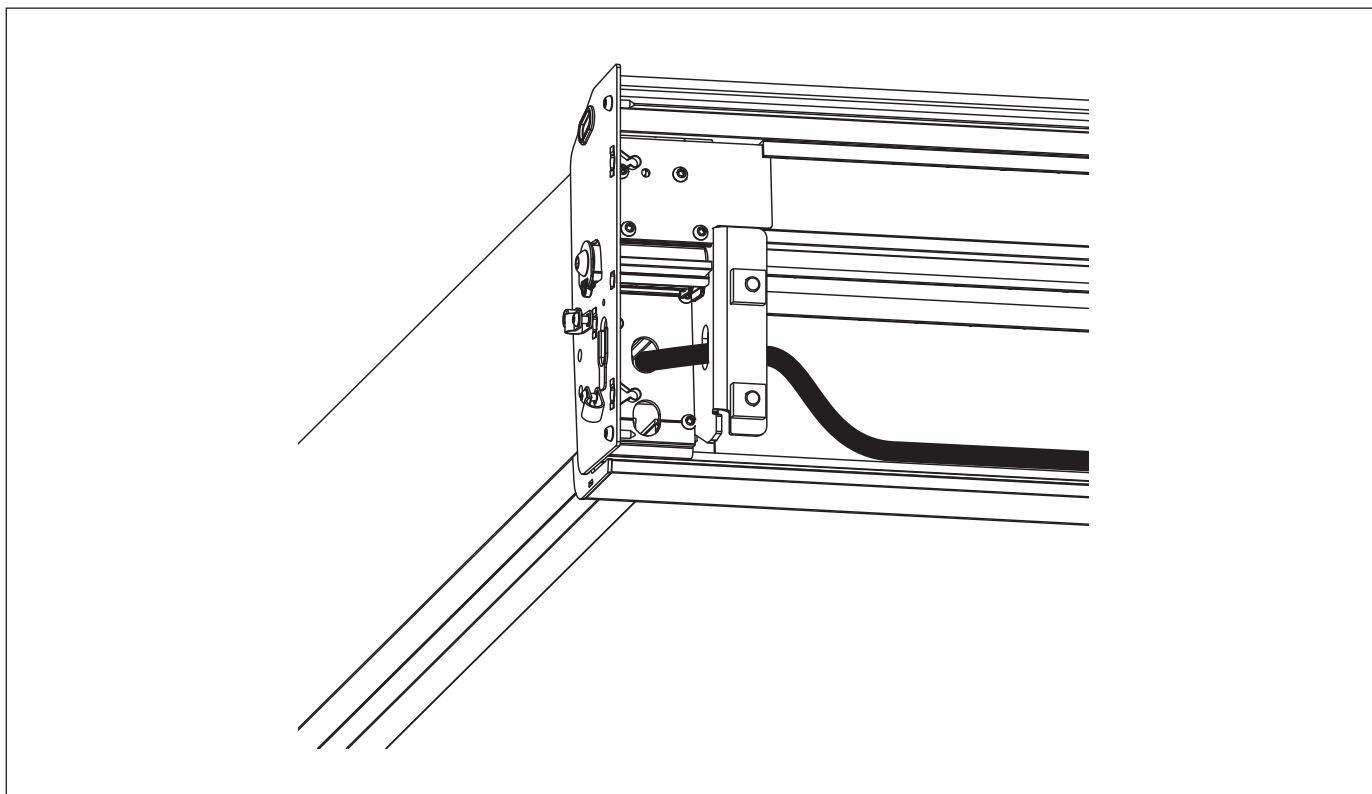
Footplate GP320 Balustrade



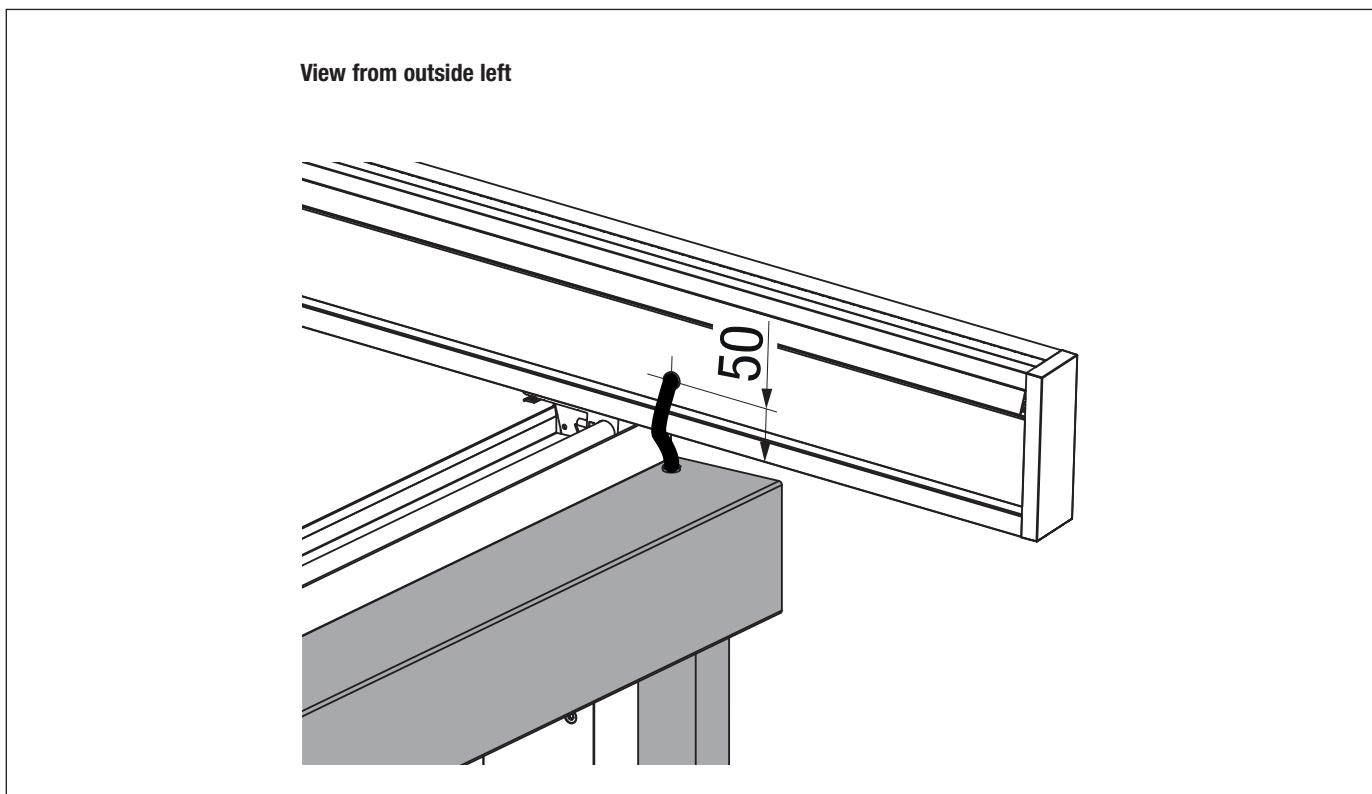
NYON PLUS GP4200

Glass roof systems

Variant: Power supply for vertical awning (wall fitting)



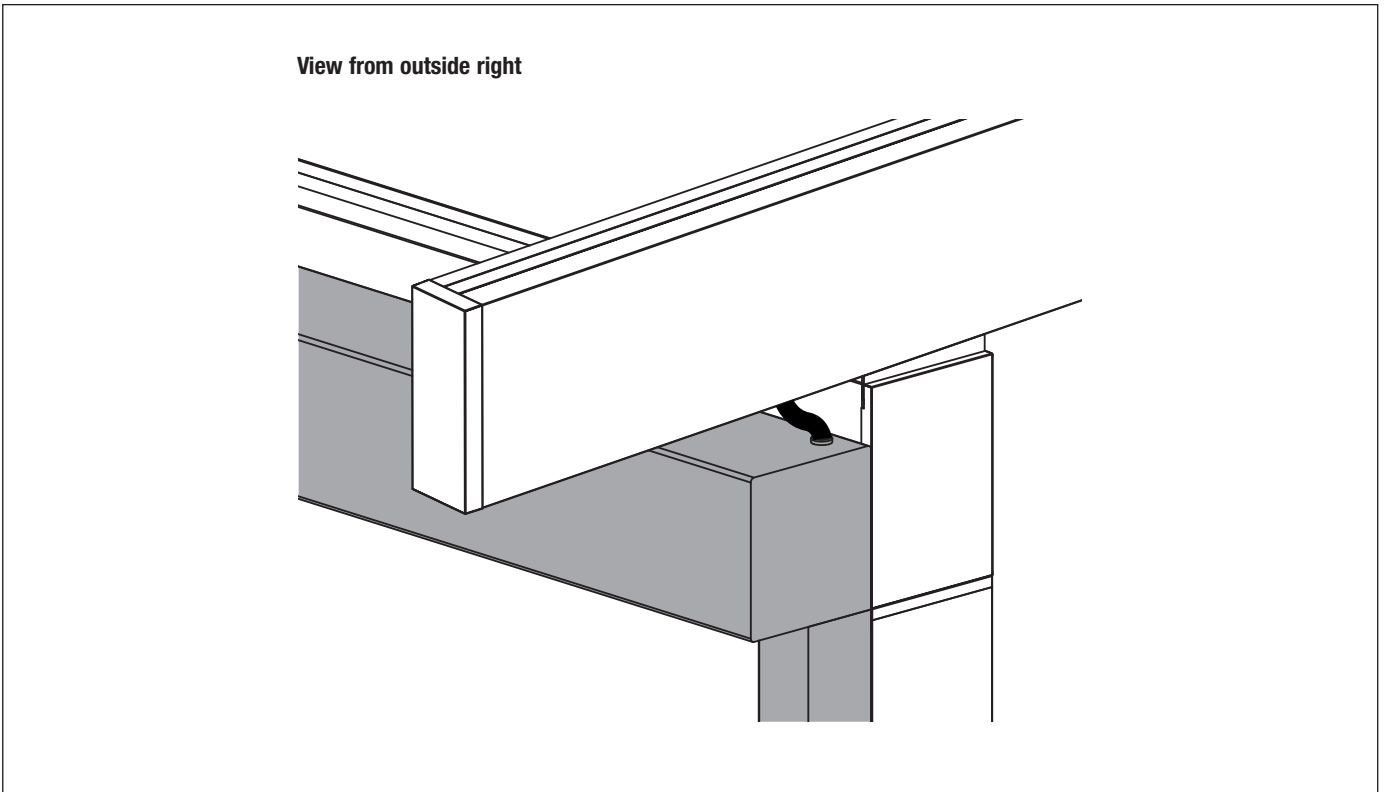
Variant: Power supply for vertical awning (surface-mounted assembly)



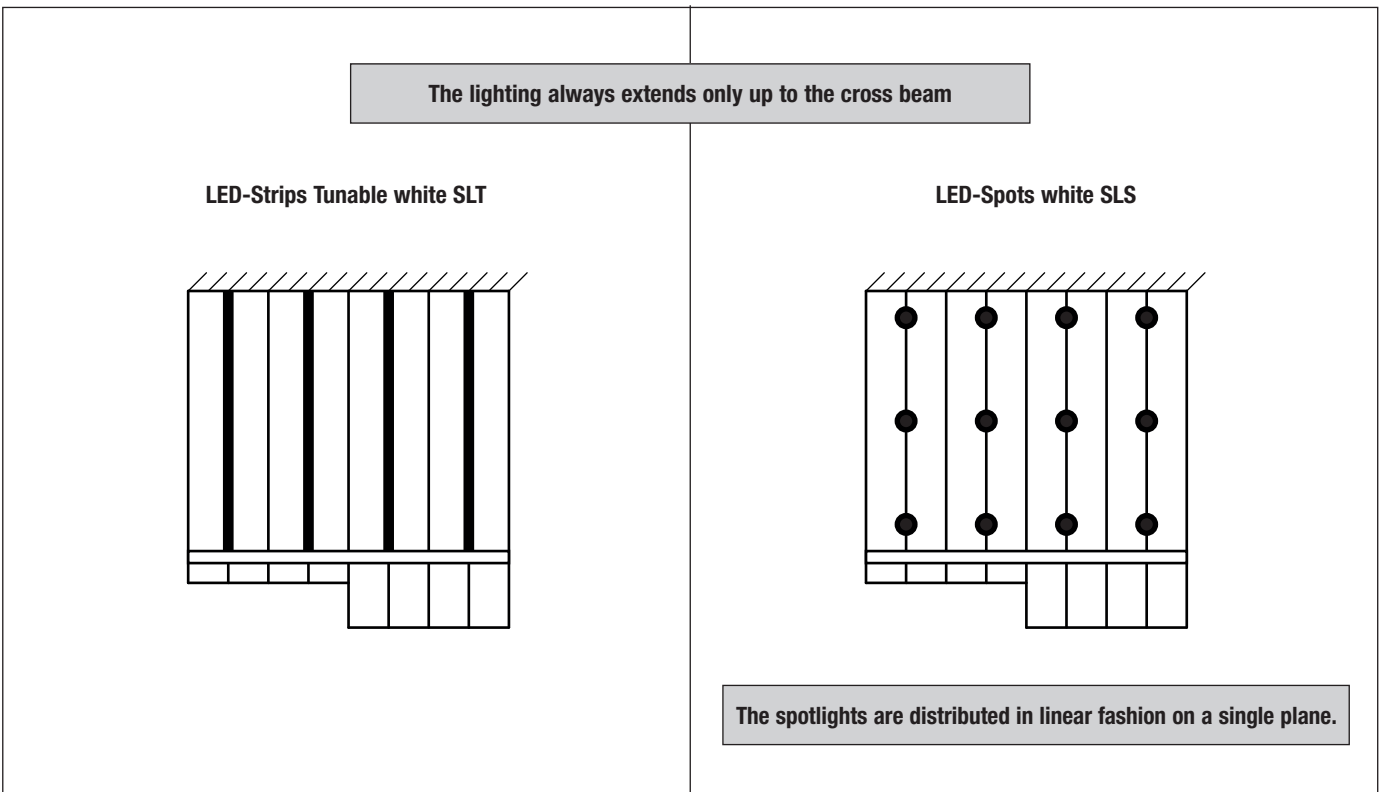
NYON PLUS GP4200

Glass roof systems

Variant: Power supply for vertical awning (surface-mounted assembly)



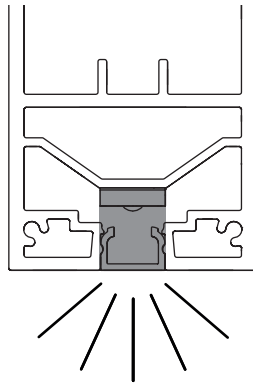
Rafters lighting (special designs A1, A2/B1, B2)



NYON PLUS GP4200

Glass roof systems

Lighting rafter SLT100 (LED-Stripe)



Up to 4 illuminated rafters per module possible (max. 1200 cm wide).

LED-Stripe Tunable white SLT115 – SLT140

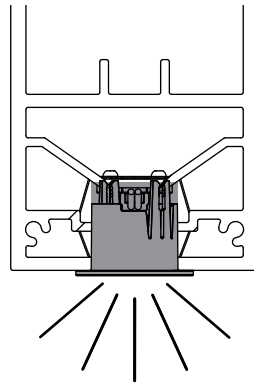
		Total-Ausladung = 169 - 219	220 - 269	270 - 319	320 - 369	370 - 419	420 - 450 cm
	Länge LED-Stripe =	150	200	250	300	350	400 cm
SLT115	1 x 12W = 12W	12W					
	2 x 12W = 24W	12W					
	3 x 12W = 36W	12W					
	4 x 12W = 48W	12W					
SLT120	1 x 16W = 16W	16W					
	2 x 16W = 32W	16W					
	3 x 16W = 48W	16W					
	4 x 16W = 64W	16W					
SLT125	1 x 20W = 20W	20W					
	2 x 20W = 40W	20W					
	3 x 20W = 60W	20W					
	4 x 20W = 80W	20W					
SLT130	1 x 24W = 24W	24W					
	2 x 24W = 48W	24W					
	3 x 24W = 72W	24W					
	4 x 24W = 96W	24W					
SLT135	1 x 28W = 28W	28W					
	2 x 28W = 56W	28W					
	3 x 28W = 84W	28W					
	4 x 28W = 112W	28W					
SLT140	1 x 32W = 32W	32W					
	2 x 32W = 64W	32W					
	3 x 32W = 96W	32W					
	4 x 32W = 128W	32W					

LED-Stripe Tunable white (2700 - 5000 K)
including 600 cm electric wire

NYON PLUS GP4200

Glass roof systems

Lighting rafter SLS100 (spotlight)



Up to 5 illuminated rafters per module possible (max. 600 cm wide).

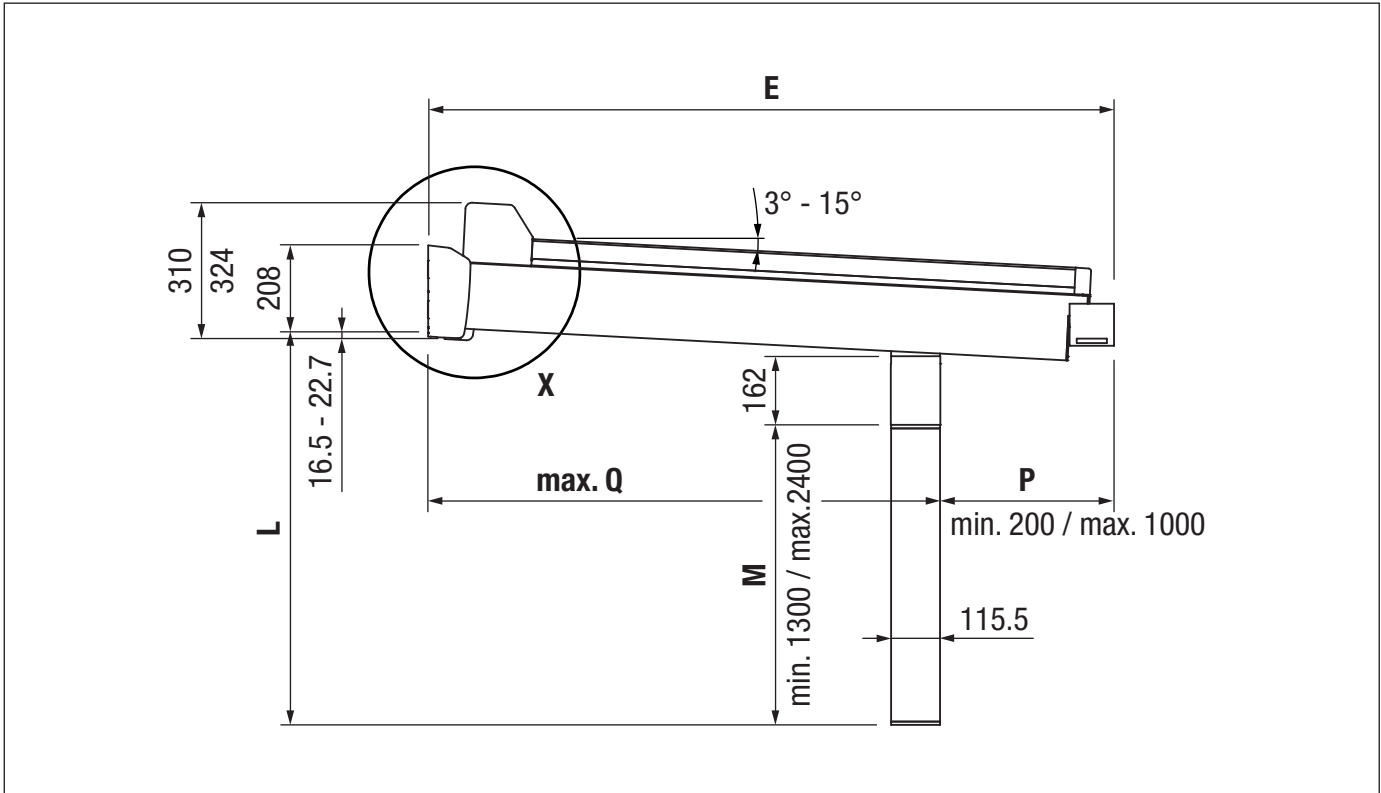
LED spotlight white SLS101 – SLS103

	Total projection =	145 - 219	220 - 294	295 - 369	370 - 444	445 - 450 cm			
	Lengths LED Lighting =	75	150	225	300	375 cm			
SLS101 SLS102 SLS103	1 x 2 x 2W = 4W	●	●	LED spot white					
	2 x 2 x 2W = 8W	●	●						
	3 x 2 x 2W = 12W	●	●						
	4 x 2 x 2W = 16W	●	●						
	5 x 2 x 2W = 20W	●	●						
SLS101 SLS102 SLS103	1 x 3 x 2W = 6W	●	●	●	LED spot white				
	2 x 3 x 2W = 12W	●	●	●					
	3 x 3 x 2W = 18W	●	●	●					
	4 x 3 x 2W = 24W	●	●	●					
	5 x 3 x 2W = 30W	●	●	●					
SLS101 SLS102 SLS103	1 x 4 x 2W = 8W	●	●	●	●	LED spot white			
	2 x 4 x 2W = 16W	●	●	●	●				
	3 x 4 x 2W = 24W	●	●	●	●				
	4 x 4 x 2W = 32W	●	●	●	●				
	5 x 4 x 2W = 40W	●	●	●	●				
SLS101 SLS102 SLS103	1 x 5 x 2W = 10W	●	●	●	●	●	LED spot white		
	2 x 5 x 2W = 20W	●	●	●	●	●			
	3 x 5 x 2W = 30W	●	●	●	●	●			
	4 x 5 x 2W = 40W	●	●	●	●	●			
	5 x 5 x 2W = 50W	●	●	●	●	●			
SLS101 SLS102 SLS103	1 x 6 x 2W = 12W	●	●	●	●	●	●	LED spot white	
	2 x 6 x 2W = 24W	●	●	●	●	●	●		
	3 x 6 x 2W = 36W	●	●	●	●	●	●		
	4 x 6 x 2W = 48W	●	●	●	●	●	●		
	5 x 6 x 2W = 60W	●	●	●	●	●	●		

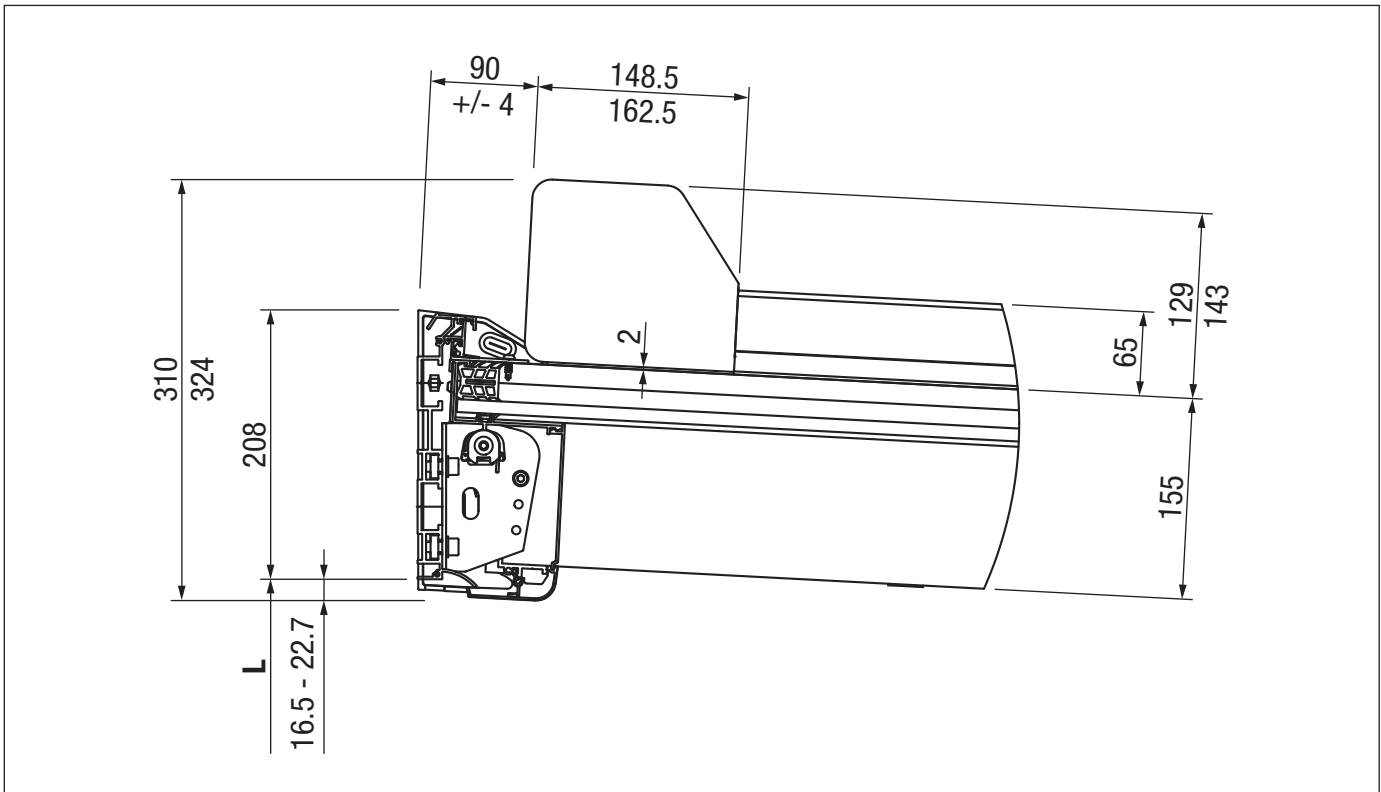
NYON PLUS GP4200

Glass roof systems

Mounting shade (PS8000 over-glass awning)



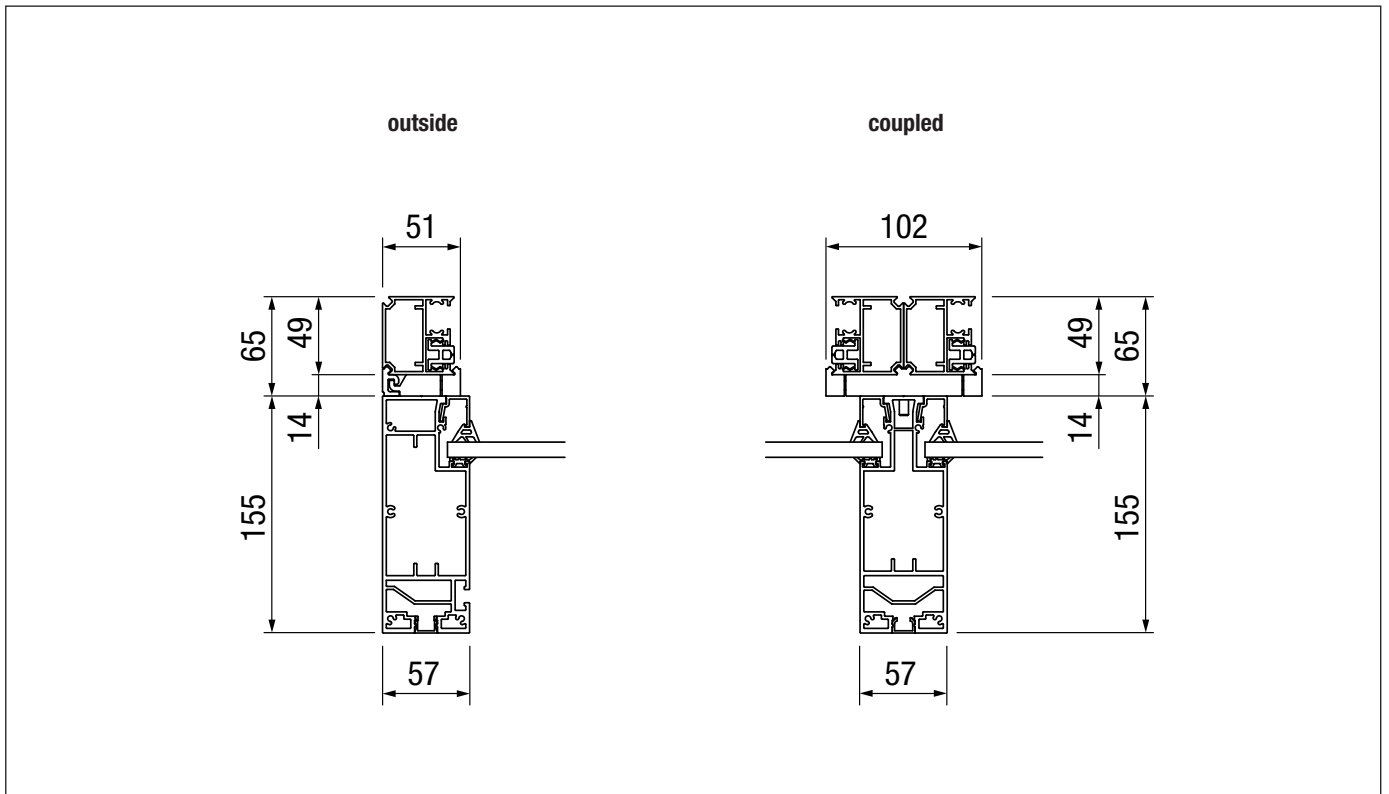
Shade (PS8000 over-glass awning)



NYON PLUS GP4200

Glass roof systems

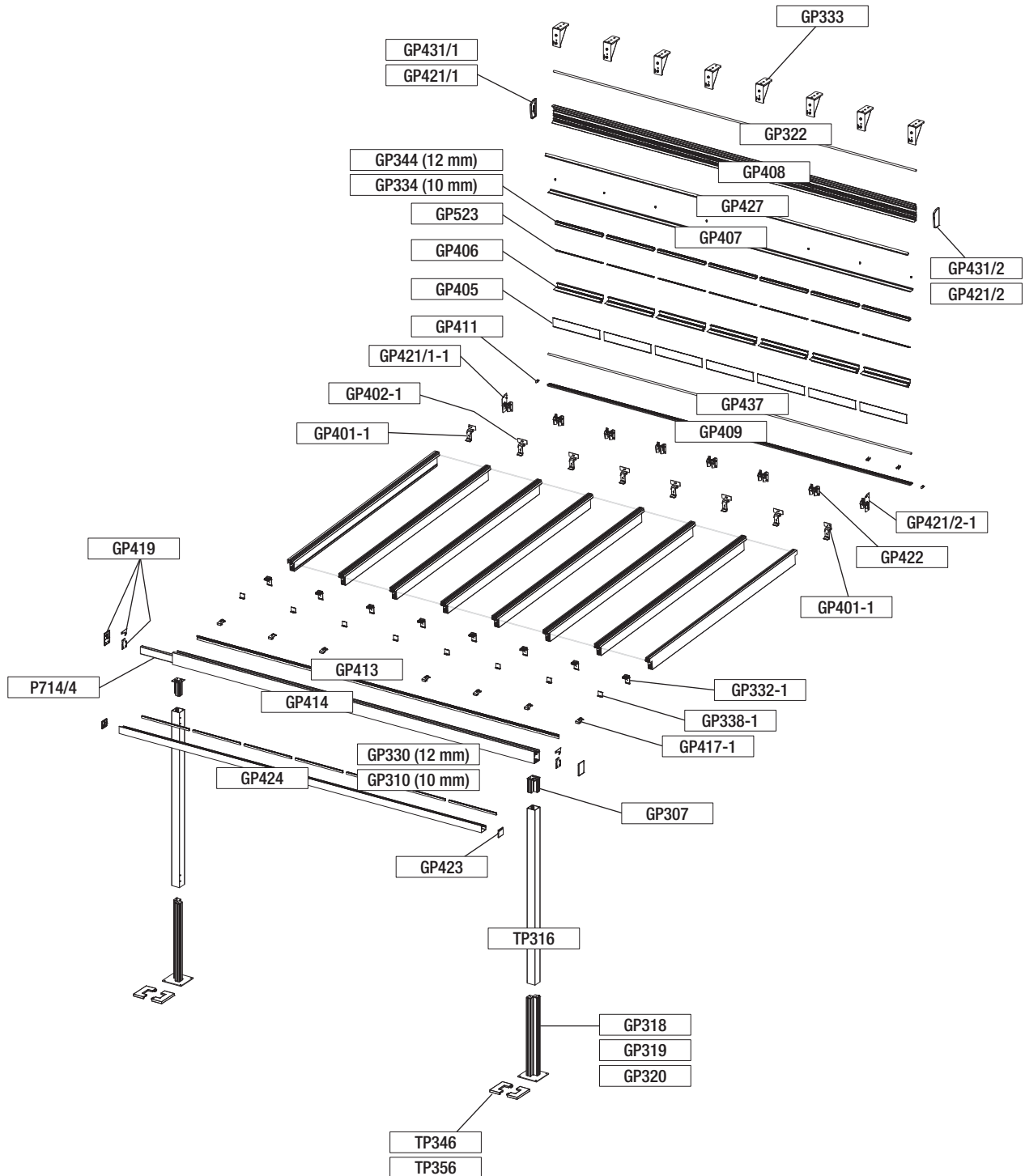
Shading system installation element (PS8000 over-glass awning)



NYON PLUS GP4200

Glass roof systems

Exploded drawing Wall fixing / Top fixing

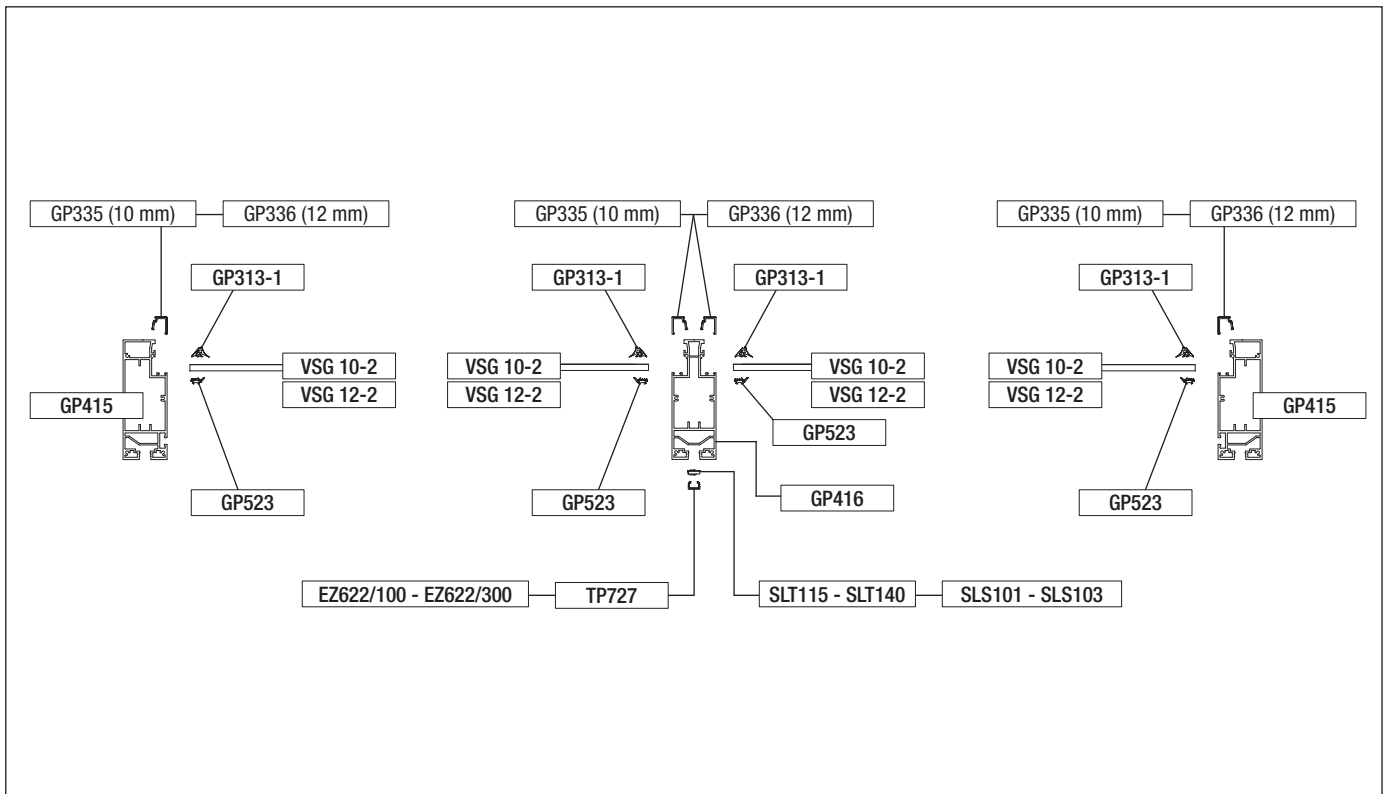


GP4200

NYON PLUS GP4200

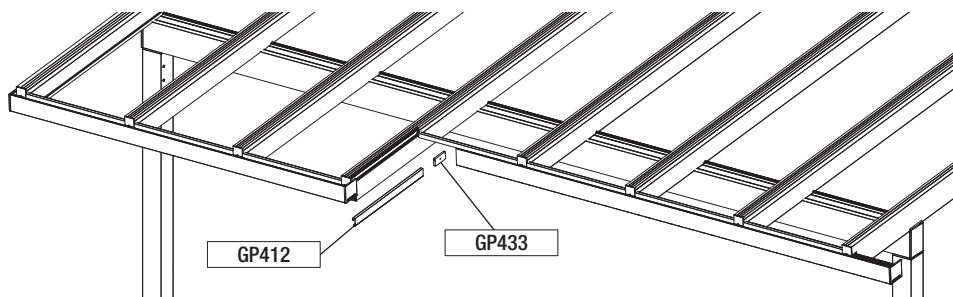
Glass roof systems

Glazing exploded drawing

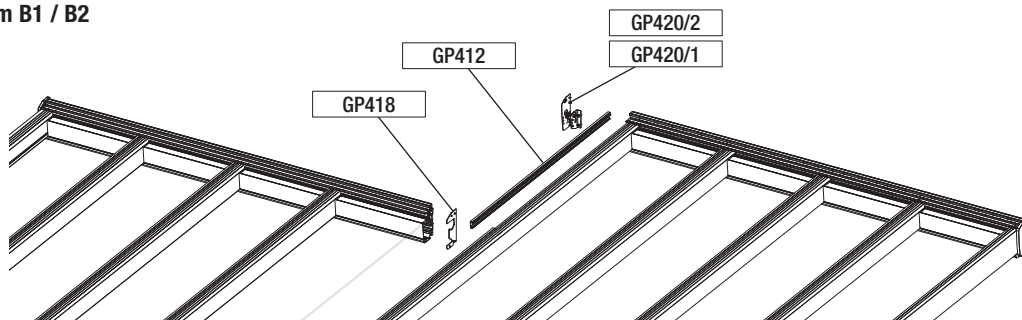


Special design exploded drawing

Special form A1 / A2



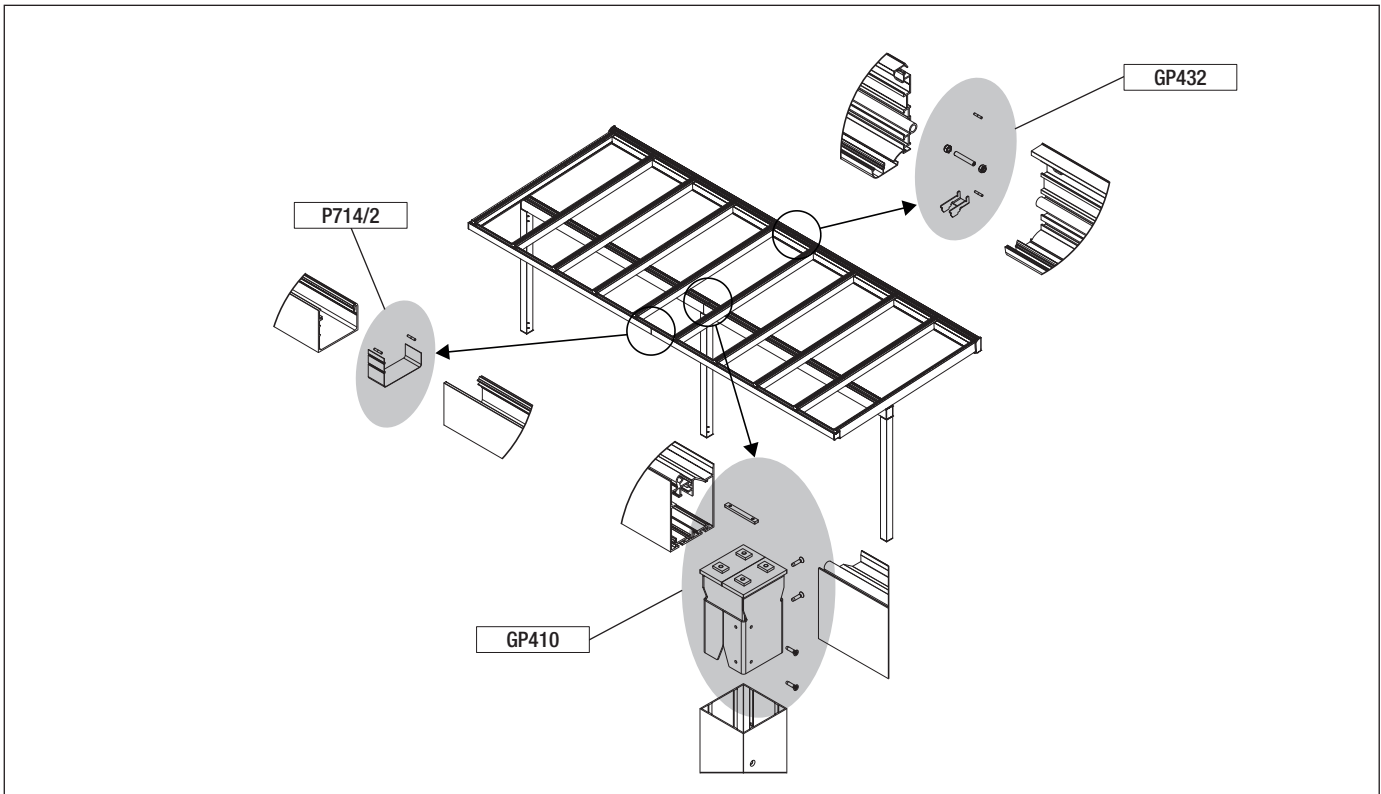
Special form B1 / B2



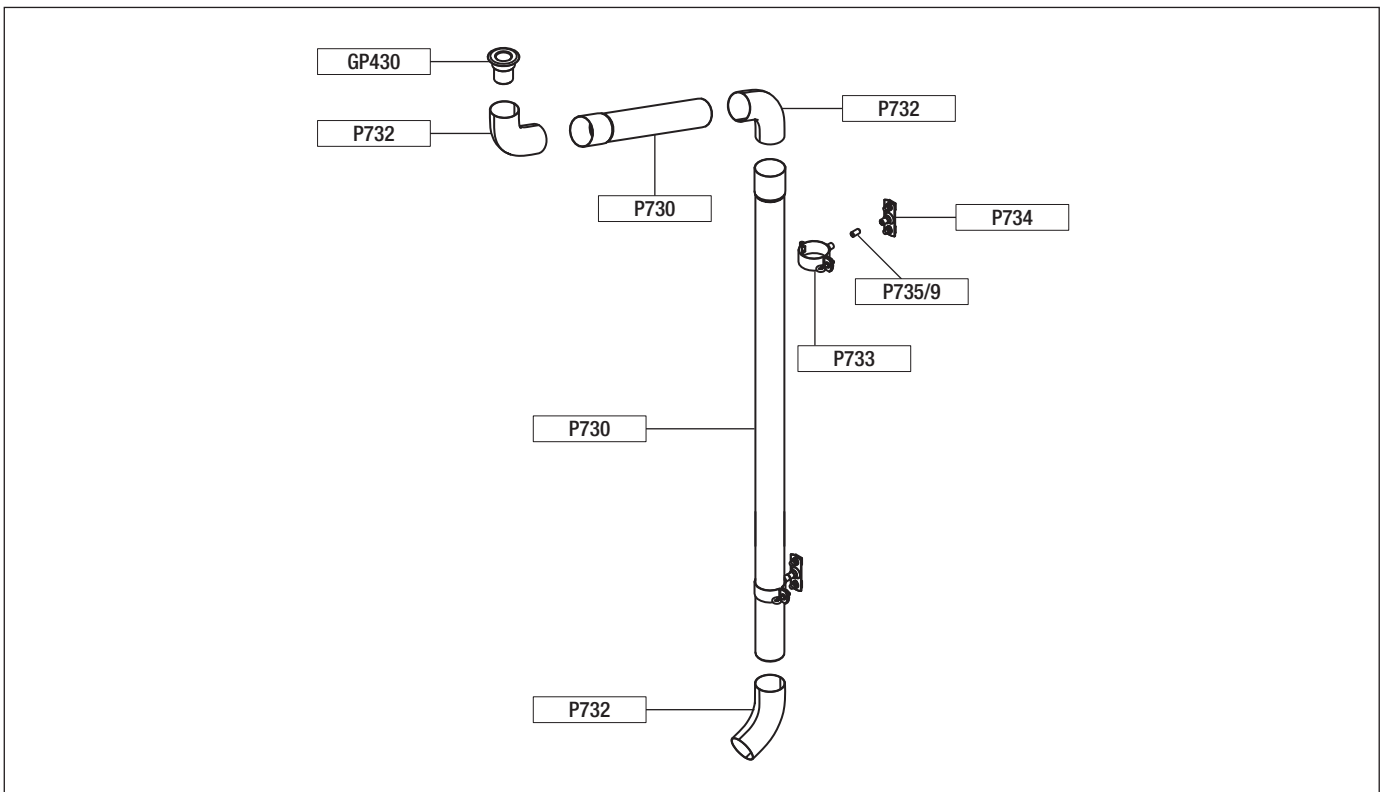
NYON PLUS GP4200

Glass roof systems

Exploded drawing, coupled



Exploded drawing of coupling with drainage



NYON PLUS GP4200

Glass roof systems

Components list

GP307	to TP316	Head plate set		pc.
GP310	to VSG 10 mm	Glass cover strip		pc.
GP313-1		Wedge profile seal		lm
GP318	to TP316	Base panel assembly (standard)		pc.
GP319	to TP316	Base panel assembly (corner)		pc.
GP320	to TP316	Base panel assembly (railing)		pc.
GP322		PE round cord, diameter 15 mm		lm
GP324-1	black	Spacer block assembly		pc.
GP330	to VSG 12 mm	Glass cover strip		pc.
GP332-1		Water channel support assembly		pc.
GP333		Cover bracket		pc.
GP334	to VSG 10 mm	Filling seal		lm
GP335	to VSG 10 mm	Glass terminal strip (longitudinal beam)		pc.
GP336	to VSG 12 mm	Glass terminal strip (longitudinal beam)		pc.
GP338-1		Cover assembly		pc.
GP339		Sealing strip (wall fitting)		lm
GP344	to VSG 12 mm	Filling seal		lm
GP401-1		Wall support assembly (side)		pc.
GP402-1		Wall support assembly (rafters)		pc.
GP405		Front cover (electrics)		pc.
GP406		Support profile		pc.
GP407		Roof profile		pc.
GP408		Wall fitting profile		pc.
GP409		End profile (cable channel)		pc.
GP410	to GP414	Headpiece, coupling assembly		pc.
GP411	to GP409	Cable channel cover assembly		pc.
GP412		Cover strip rafters		pc.
GP413	to GP414	Cover profile (transverse beam)		pc.
GP414		Transverse beam		pc.
GP415		Longitudinal beam, side		pc.
GP416		Longitudinal beam, thick		pc.
GP417-1	to GP414	Transverse beam support assembly		pc.
GP418		Cover assembly (wall center, design B)		pc.
GP419	to GP414	Side cover assembly (transverse beam)		pc.
GP420/1		Wall fitting assembly, left (special design B)		pc.
GP420/2		Wall fitting assembly, right (special design B)		pc.

NYON PLUS GP4200

Glass roof systems

GP421/1	to GP408	Side cover, left		pc.
GP421/1-1		Wall fitting assembly, left		pc.
GP421/2	to GP408	Side cover, right		pc.
GP421/2-1		Wall fitting assembly, right		pc.
GP422		Wall fitting bracket assembly		pc.
SS422/GP	to GP422 to GP421/1-1 to GP421/1-2	Screw set for wall fitting assembly		pc.
GP423	to GP424	Water channel cover assembly, small		pc.
GP424		Water channel profile, small		pc.
GP427		Lip seal		pc.
GP428		Rafter end assembly (without water channel)		pc.
GP429		Glass bumper strip		pc.
GP430	to GP424	Drain support assembly		pc.
GP431/1	to GP408	Side cover, left (for side glazing)		pc.
GP431/2	to GP408	Side cover, right (for side glazing)		pc.
GP432	to GP409	Coupling assembly (wall fitting)		pc.
GP433	to GP424	End cap (special form A)		pc.
GP434	to GP424	Complete drain system, W20		pc.
GP437		Round tube, 20 x 3 mm diam.		pc.
GP523		Glass sealing profile		pc.
P714/2	to GP424	Sealing tape with pin		pc.
P714/4	to GP304	Rectangular steel tube, 100 x 40 x 4 mm (170 mm)		pc.
TP316		Support profile		pc.
TP346	to GP318	Cover assembly (standard base panel)		pc.
TP356	to GP319	Cover (corner)		pc.
TP727		Interior cover profile		pc.
VSG 10-2 VSG 12-2	unobscured unobscured	Laminated safety glass	10 mm 12 mm	pc. pc.
EZ622/100 EZ622/150 EZ622/200 EZ622/250 EZ622/300		LED plastic cover (white)		pc. pc. pc. pc. pc.
EZ721		Connection cable LED spot	150 cm	pc.
EZ723		LED connection cable	350 cm	pc.
EZ725 EZ726 EZ727 EZ728 EZ730		Cable kit (distribution cable) LED spot	2 spots 3 spots 4 spots 5 spots 6 spots	pc. pc. pc. pc. pc.

NYON PLUS GP4200

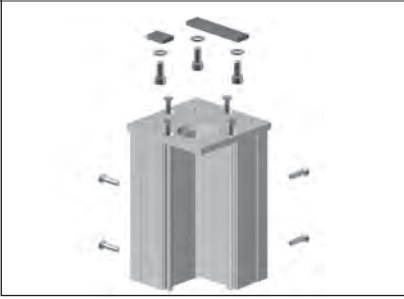
Glass roof systems

SLS101 SLS102 SLS103		LED spot warm white LED spot neutral white LED spot cold white	2700 K 3000 K 4000 K	pc. pc. pc.
SLT115 SLT120 SLT125 SLT130 SLT135 SLT140		SLT100 LED-Stripe Tunable white including 600 cm electric cable	150 cm 200 cm 250 cm 300 cm 350 cm 400 cm	pc. pc. pc. pc. pc. pc.
ECL2103		LED power supply unit	120 W on/off 1-10V SL	pc.
ECL2303 ECL2304		LED power supply unit	200 W io SL 200 W io SLT	pc. pc.
		Retaining clamp, rust-free		pc.
		Screw cover		pc.
	to GP405	Disassembly tool		pc.
	black	GYSO-Unisilicon 707		pc.

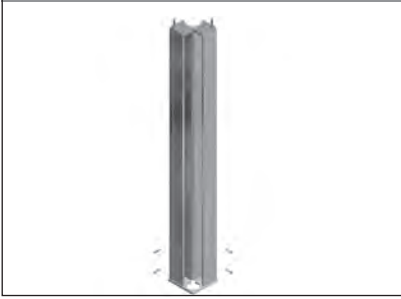
NYON PLUS GP4200

Glass roof systems

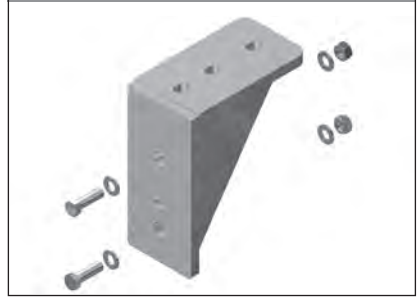
GP307



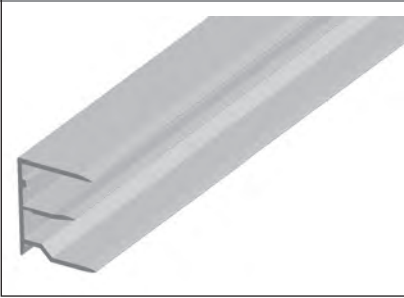
GP320



GP333



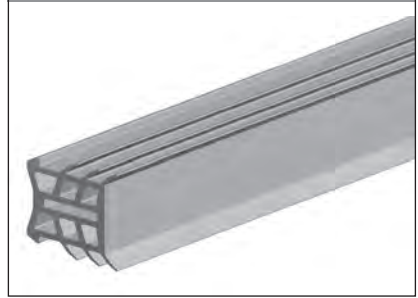
GP310



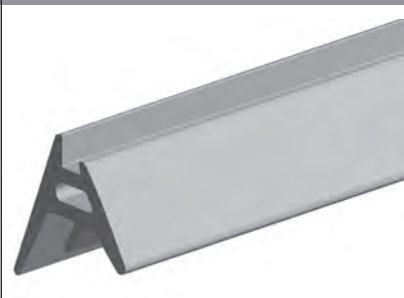
GP322



GP334



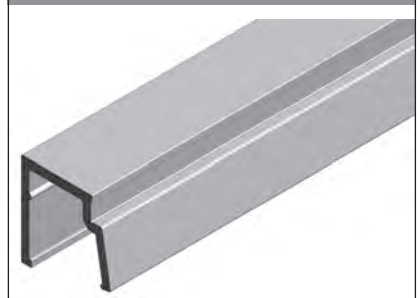
GP313-1



GP324-1



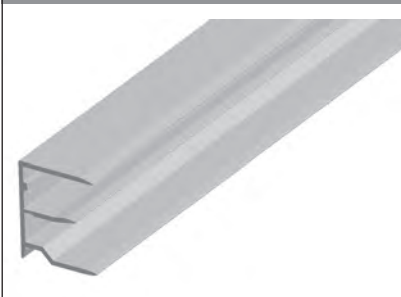
GP335 / GP336



GP318



GP330



GP338-1



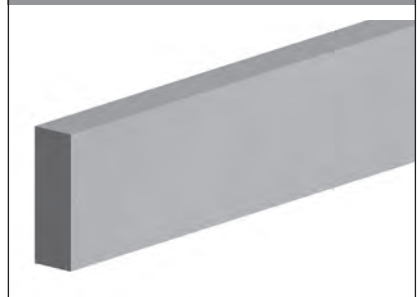
GP319



GP332-1



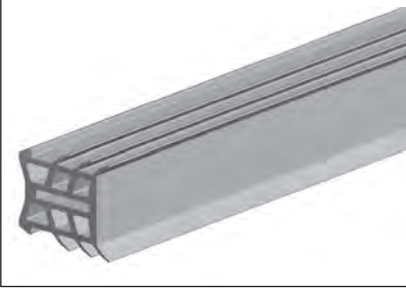
GP339



NYON PLUS GP4200

Glass roof systems

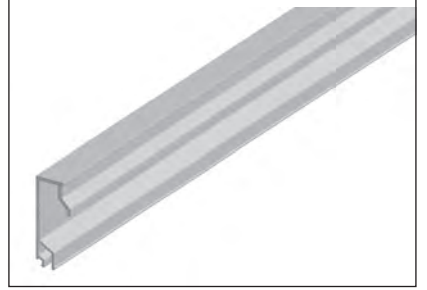
GP344



GP407



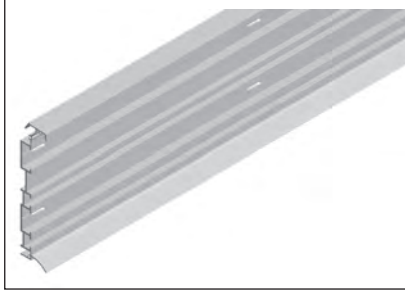
GP412



GP401-1



GP408



GP413



GP402-1



GP409



GP414



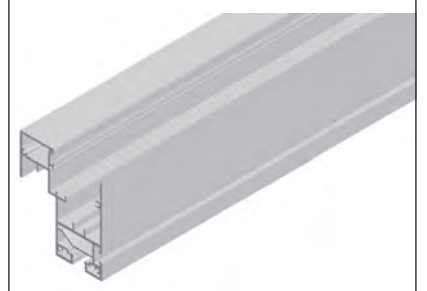
GP405



GP410



GP415



GP406



GP411



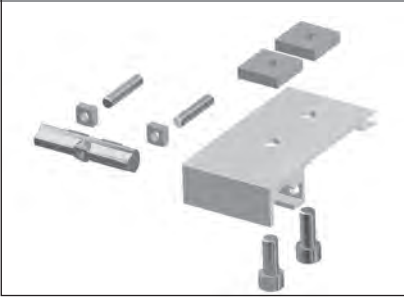
GP416



NYON PLUS GP4200

Glass roof systems

GP417-1



GP421/1



SS422/GP



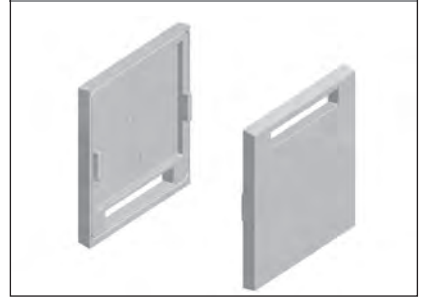
GP418



GP421/1-1



GP423



GP419



GP421/2



GP424



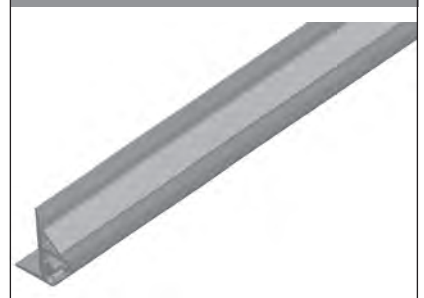
GP420/1



GP421/2-1



GP427



GP420/2



GP422



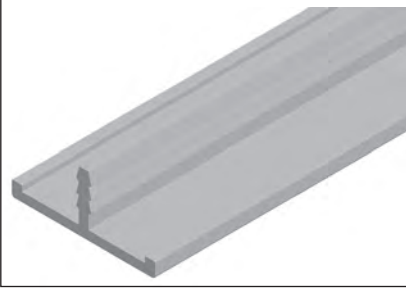
GP428



NYON PLUS GP4200

Glass roof systems

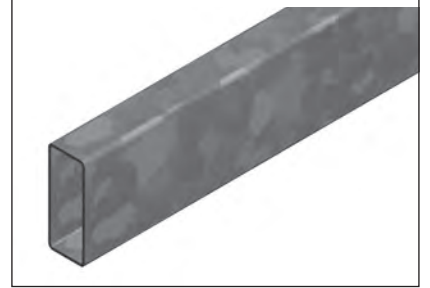
GP429



GP433



P714/4



GP430



GP434



TP316



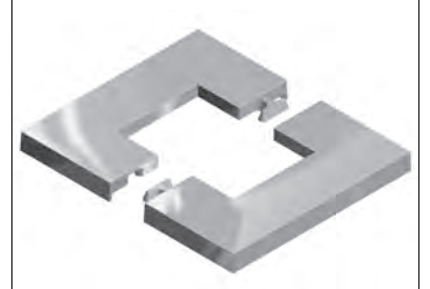
GP431/1



GP437



TP346



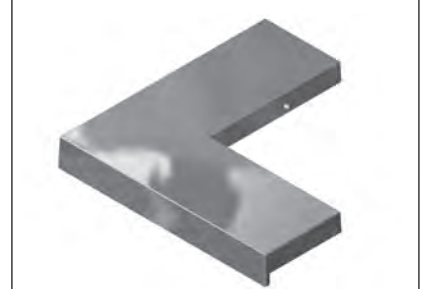
GP431/2



GP523



TP356



GP432



P714/2



TP727



NYON PLUS GP4200

Glass roof systems

VSG 10-2 / VSG 12-2



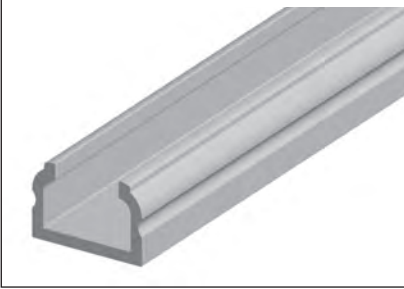
SLS101 – SLS103



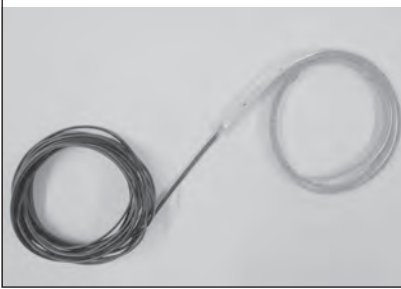
Retaining clamp



EZ622/100 - EZ622/300



SLT115 - SLT140



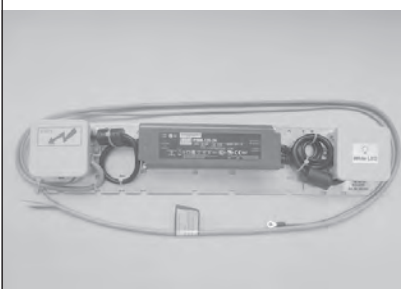
Screw cover



EZ721



EZL2103



Demontagewerkzeug



EZ723



ECL2303



GYSO-Unisilicon 707



EZ725 – EZ730



ECL2304

