

Verano[®] MAKE THIS YOUR MOMENT



CONSERVATORY AWNINGS

Enjoying a meal underneath your patio awning, or perhaps playing a game with the children, is a fantastic experience. The shelter offered by the awning means the temperature is already very pleasant quite early on in the year and you can enjoy your garden more often and for longer. However, this wind-free spot means the temperature underneath your patio awning can rise very quickly during those mid summer months. Conservatory awnings offer the perfect solution!

Make this your moment

We want it to be about you. We want to make sure you can completely enjoy any time of day whilst at home, both inside and outside! A lovely living environment will give you that ultimate feeling of coming home. Verano®'s conservatory awnings will allow you to turn your house into a safe and comfortable home and give you complete control of your living environment. Make this your moment!





V610 - Oslo | Anthracite | Fabric 70.2623

HEALTH PROTECTION

It has been scientifically proven that ultraviolet radiation speeds up the natural ageing process. At the same time, UV rays affect the skin and can cause harmful radiation diseases. Contrary to applying protective sun cream, protection with the use of sun protection products is still a relatively unknown health protection weapon. Conservatory awnings will block an average of 90-99% of UV rays, whilst also regulating the temperature on your terrace and reducing the light intensity.



PROTECTION AGAINST UV RADIATION

The conservatory awnings fabric will block an average of 90-99% of the sun's UV rays. In addition to offering protection against UV radiation, conservatory awnings also reduce the chance of a glare effect, which can occur due to excessive light intensity.



SAVE ON ENERGY

Research conducted by TNO has shown that outdoor sun protection is still a relatively unknown weapon for saving energy. An average energy saving of 3% to 12% can be realised in homes when using automated outdoor sun protection during the summer months. TNO's research also showed that the energy saving effect is the greatest when automatically regulated outdoor sun protection is only used during the summer months. The sun will actually provide a little extra heat during the winter period.



GUARANTEED QUALITY

We are incredibly confident about the quality of our products, which is why they come with an impressive five year guarantee. Our products can be recognised by the chrome-coloured brand logo and the sticker with the unique product code.





V610 - Oslo | Anthracite | Fabric 70.2709

FABRIC COLOURS

POPULAR FABRIC COLOURS*

TREND COLOURS 70.2603



Pattern 75%

URBAN COLOURS 70.2726



Pattern 75%

TREND COLOURS 70.2606



Pattern 75%

TREND COLOURS 70.2645



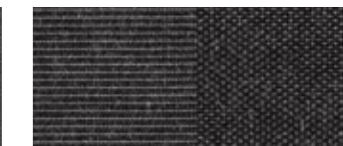
Pattern 75%

RETRO COLORS 70.3022**



Pattern 75%

TREND COLOURS 70.2604



Pattern 75%

*Our colours are even more beautiful in real life, so make sure you always ask for the colour samples from your Verano® partner!

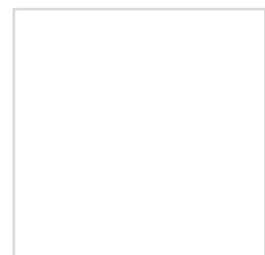
** Retro Colors only possible with V642 - Tumba.

FRAME COLOURS

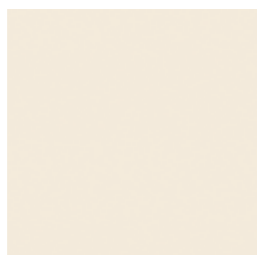
Just like the colour of the sun protection fabric, the colour of the frame will also determine the appearance of your conservatory awnings. The frame can be coated in any desired colour. The following colours can even be delivered extra quickly.

BEST-SELLING FRAME COLOURS*

White



Ivory



Brown



Anthracite structure

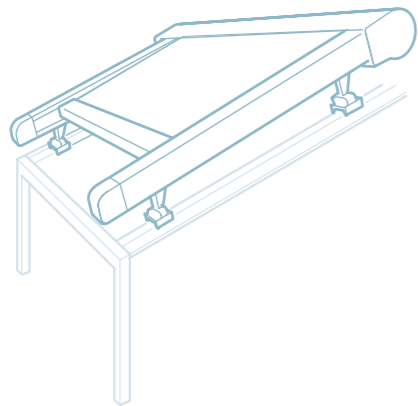


*Our colours are even more beautiful in real life, so make sure you always ask for the colour samples from your Verano® partner!



V610 - Oslo

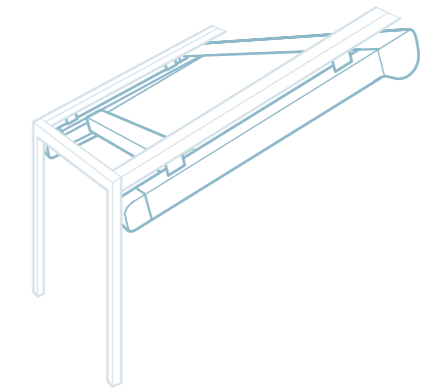
The Oslo conservatory awning functions like a blind at the top of your awning. This wards off light and heat before it actually reaches your patio awning. The Oslo can cover an incredible width and is therefore suitable for virtually any type of awning.



V610 - Oslo | Anthracite | Fabric 70.3000

V612 - Hamar

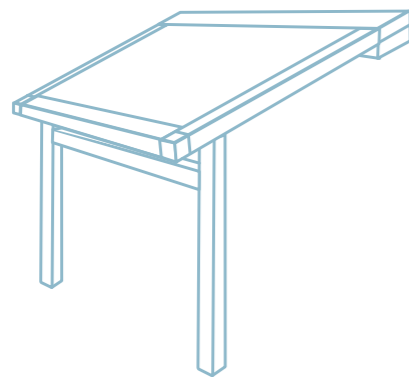
The Hamar conservatory awning is mounted underneath your patio awning. An important advantage is that the fabric is optimally protected against weather influences. You can instantly create a fantastic ambiance on your terrace with the right colour fabric.



NEW

V640 - Odense

Pergola and conservatory awning V640 - Odense can be used on a veranda or as a pergola including posts. This conservatory awning contains an acrylic fabric with zipper in the side guides. The Odense can span a large width and is therefore suitable for almost any veranda.

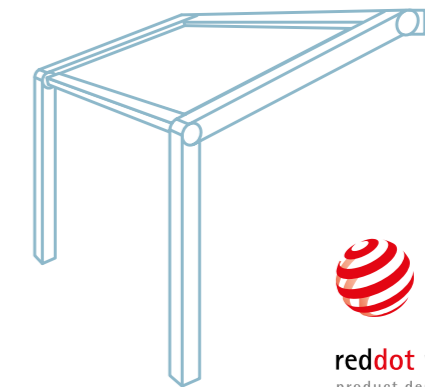


V642 - Tumba | Anthracite | Fabric 70.3009

NEW

V642 - Tumba

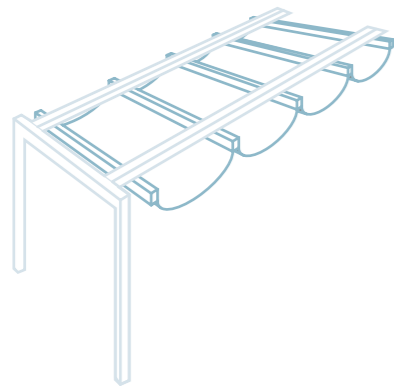
The Tumba can be used in two ways: on a veranda as conservatory awning or on posts such as a pergola. This conservatory awning is equipped with a sun-resistant, water-repellent and weather-resistant 100% high-tec polyester uni-fabric with a side guide zipper. The patented locking mechanism provides a good fabric tension, therefore the V642 - Tumba can also be used as a pergola with a limited slope during rain.



reddot winner 2020
product design

V650 - Tallinn

Do you attach a great deal of value to what your conservatory awning looks like? The Tallinn is a so-called slatted blind, as the fabric is arranged underneath the awning with attractively draped slats. This will allow you to ward off the sunlight, whilst at the same time also giving your terrace a great twist. The Tallinn is made with fabric from the screen fabric collection.

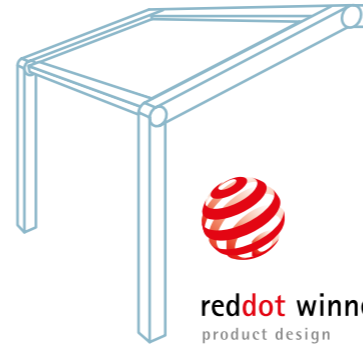
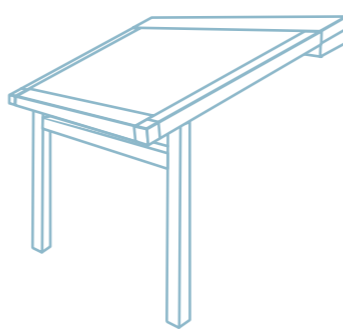
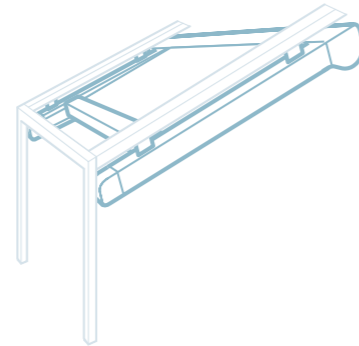
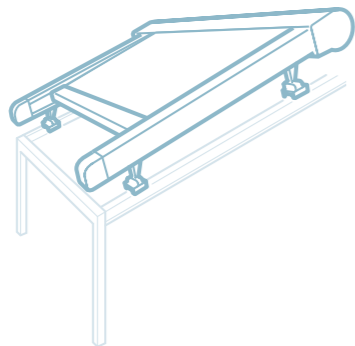


V920 - Riva | White | Patio awning pleated blinds | Colour 72.0153

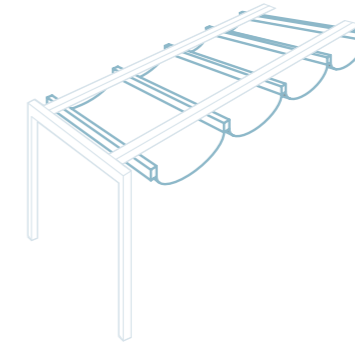
ALTERNATIVE SOLUTIONS

The patio awning pleated blinds can be used as a stylish alternative to conservatory awnings. The pleated blind is originally a product from the window decorations collection. This variant, made with water-repellent fabric and better UV stability, can be mounted to the side guide between the beams of a patio awning. The pleated fabric will make sure any incoming sunlight will be effectively ward off and will certainly also have an atmosphere-enhancing effect underneath your awning.

DIMENSIONS



reddot winner 2020
product design



Model	V610 - Oslo	V612 - Hamar	V640 - Odense	V642 - Tumba	V650 - Tallinn
Mounting type	Top	Bottom	Top / On supports	Top / On supports	Bottom / Slats
Max. width [mm]	10000	6000	6000	6000	4000
Max. drop [mm]	5000	4500	5000	5000	5000
Max. surface area [m ²]	50	27	30	25	14
Manually operated	-	-	-	-	Standard
Electric with a fixed switch	Optional	Optional	Optional	-	-
Electric, radio-controlled	Optional	Optional	Optional	-	-
Electric, smart home proof	Standard	Standard	Standard	Standard	-
Fabric	Trend / Urban Colors	Trend / Urban Colors	Trend / Urban Colors	Retro Colors	Metro/Vitro Colors

Please note: the maximum dimensions cannot always be combined, ask your Verano® partner about the options.



Also have a look at our other brochures:

- Brochure garage doors
- Brochure glass and sliding walls
- Brochure window styling
- Brochure ritzscreens®
- Brochure windscreens and fences
- Brochure sun awnings
- Brochure louvered roofs

No rights can be derived from this brochure.
24270499-210311EN

